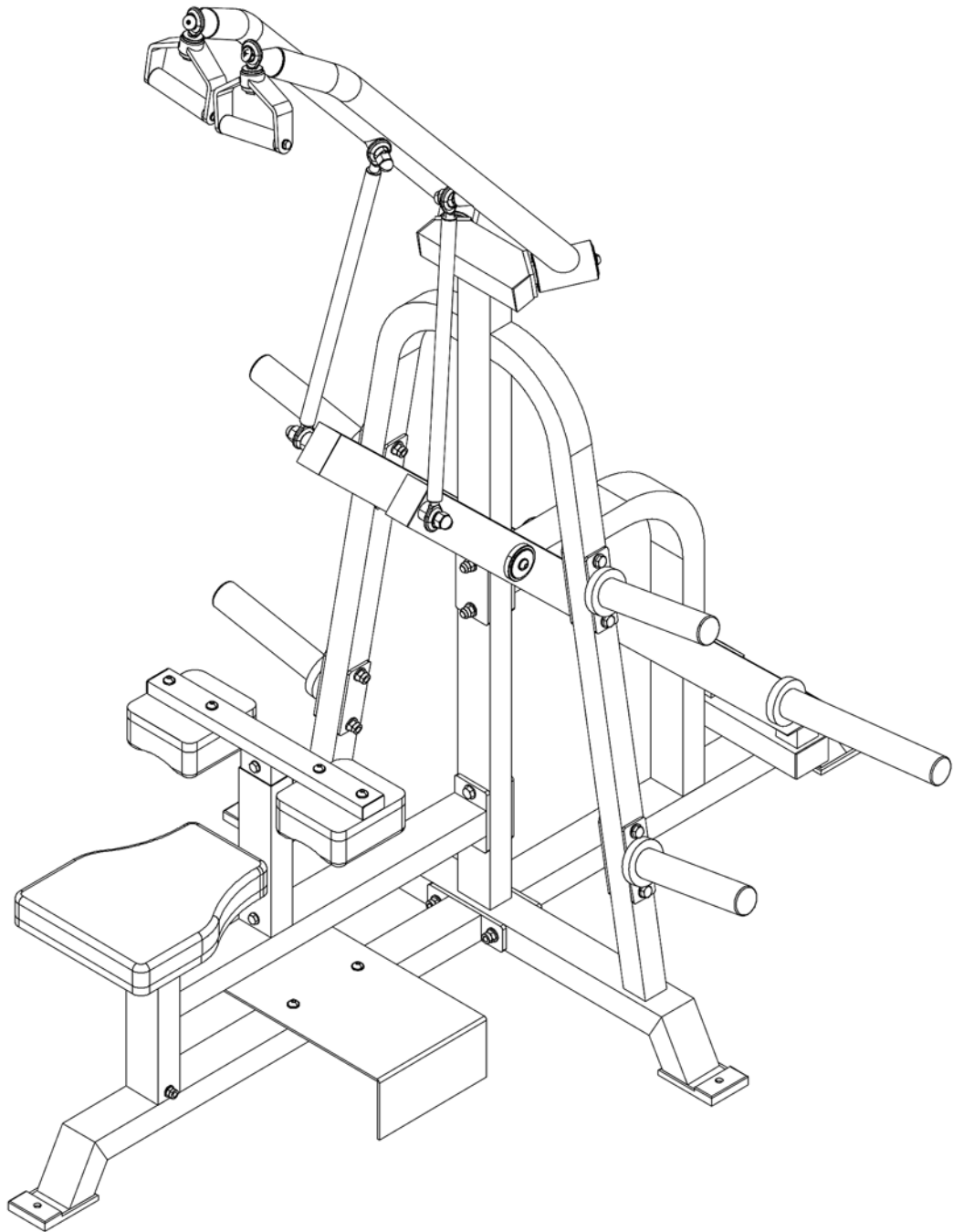


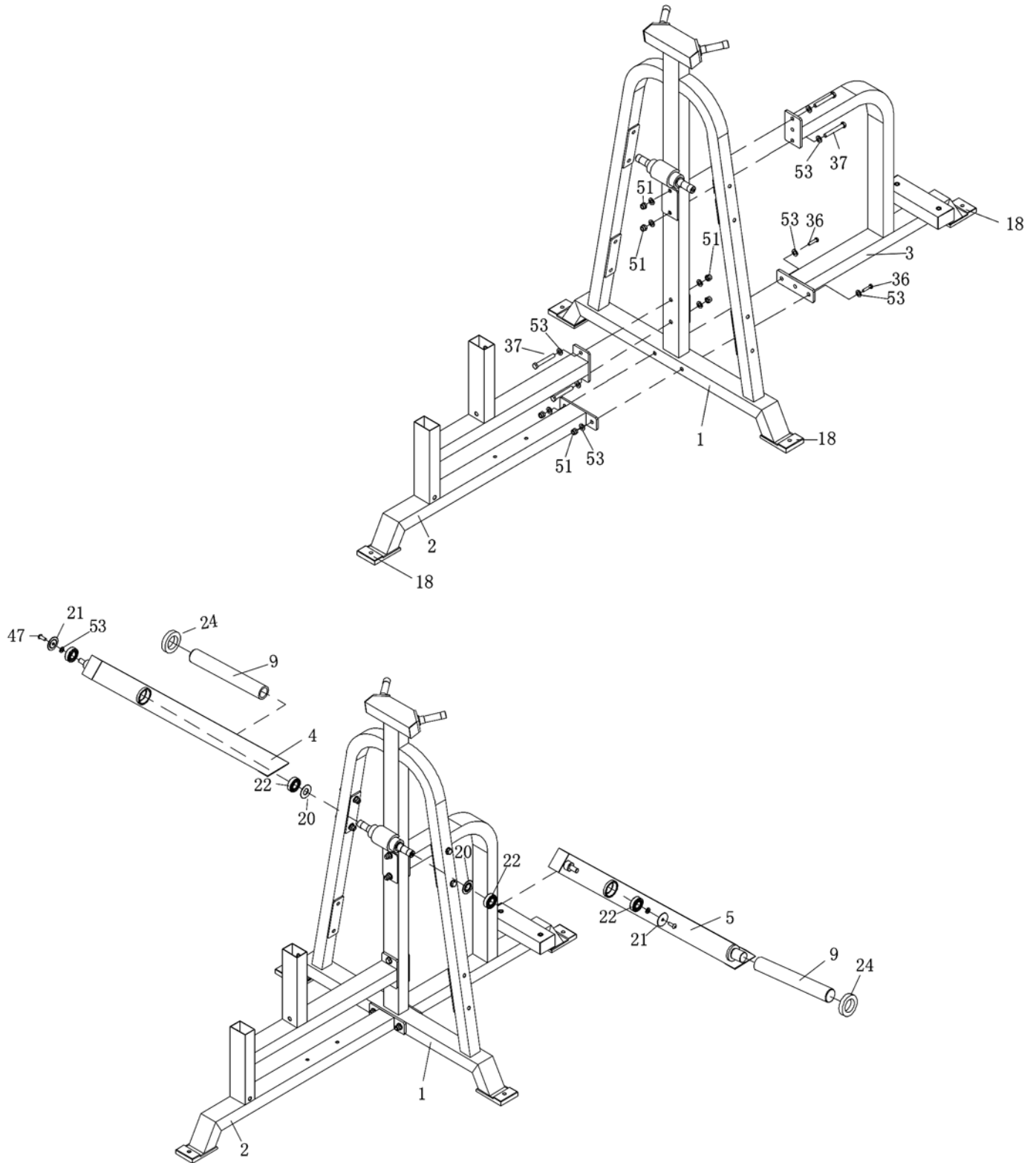
LVLA



Body-Solid

LVLA

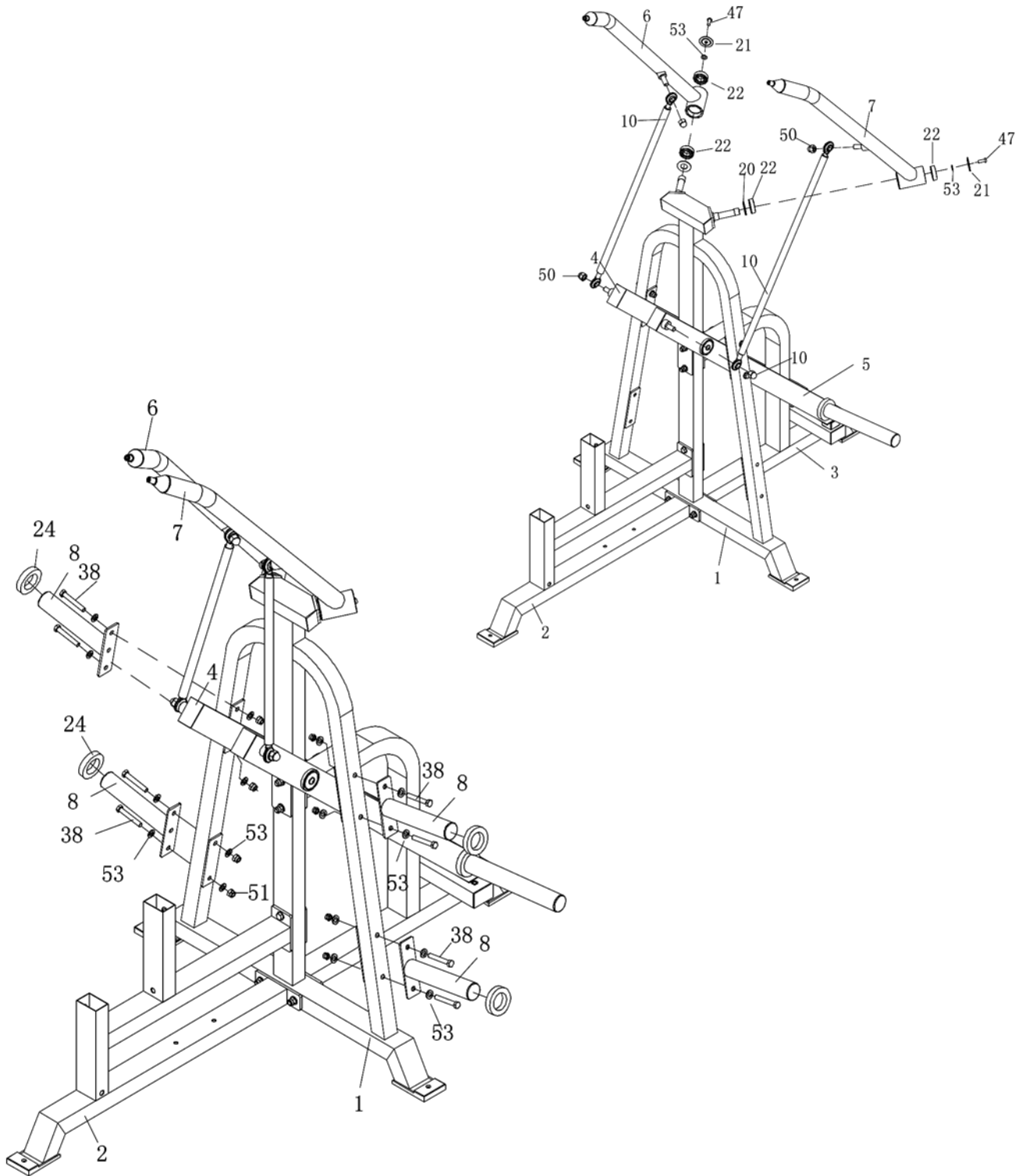
ASSEMBLY INSTRUCTIONS



Body-Solid

LVLA

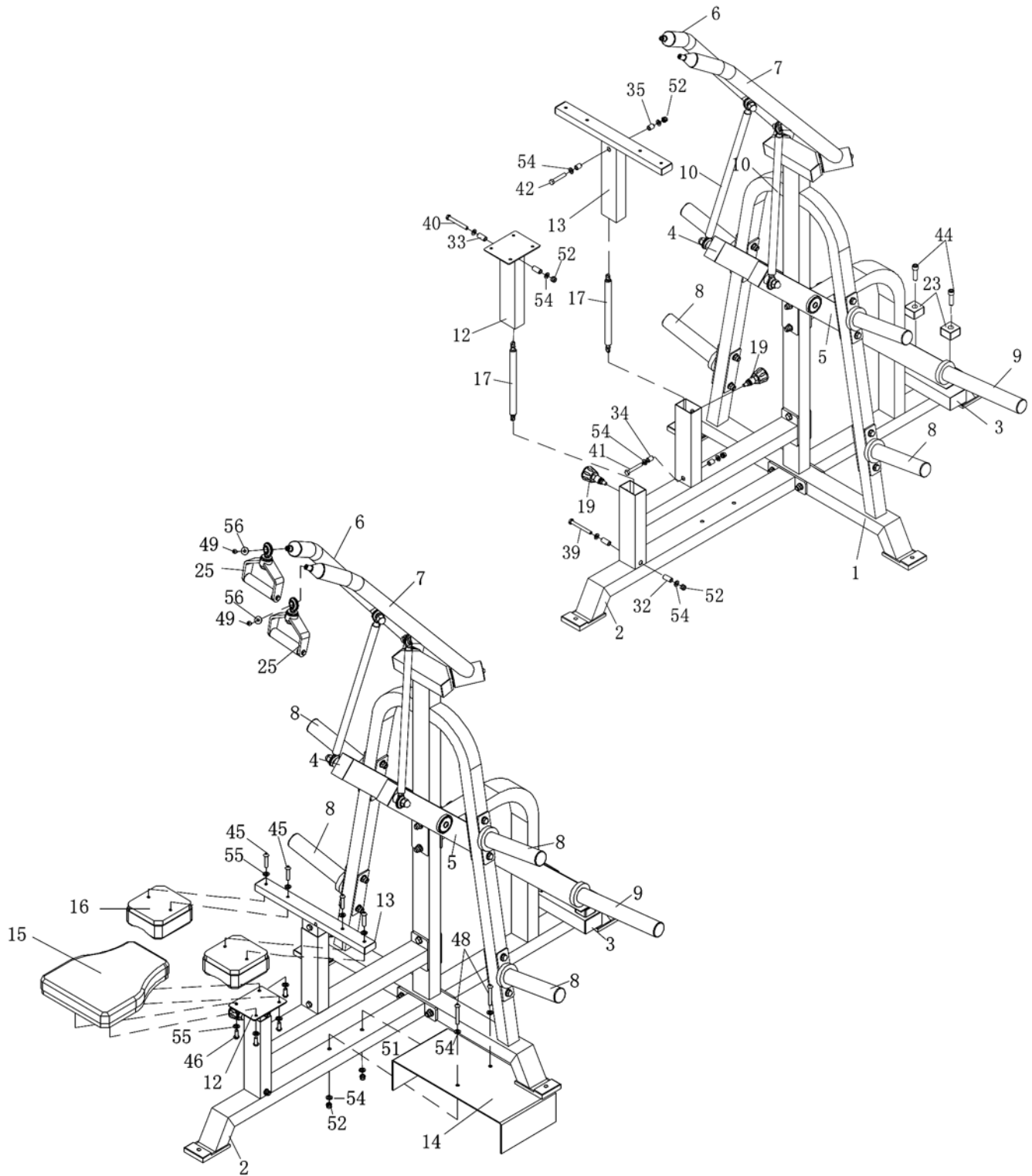
ASSEMBLY INSTRUCTIONS



Body-Solid

LVLA

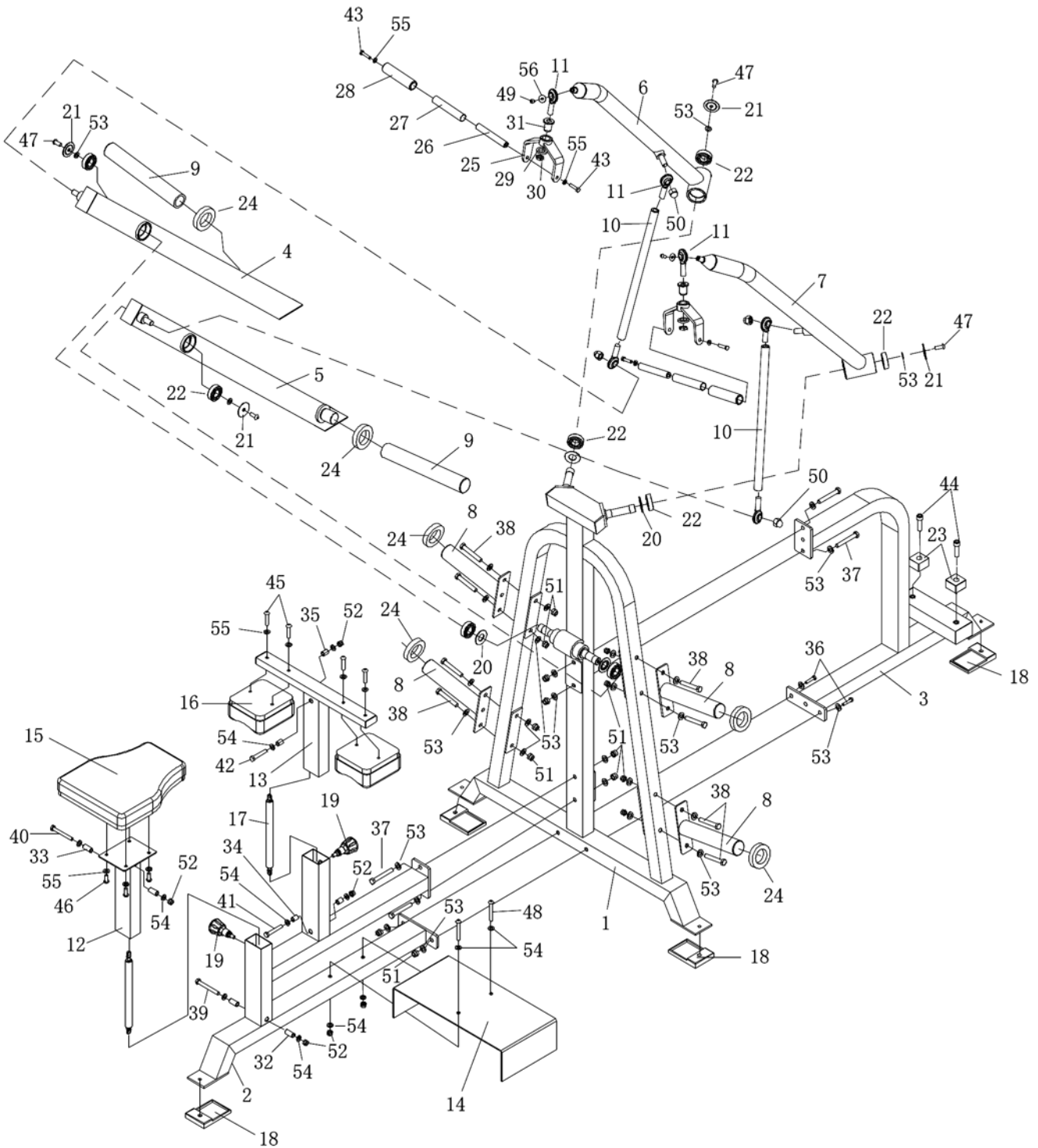
ASSEMBLY INSTRUCTIONS



Body - Solid

LVLA

EXPLODED VIEW



Body-Solid

LVLA Hardware List

No.	Description	Qty	No.	Description	Qty
1	Main Frame	1	29	*35**22*t5.0 Washer for Bearing	2
2	Connecting Tube	1	30	M10 Nylon Nut	2
3	Support Tube	1	31	Tube	2
4	Left Loading Bar	1	32	L1=32 Tube	2
5	Right Loading Bar	1	33	L2=34.5 Tube	2
6	Left Tube	1	34	L3=19.5 Tube	2
7	Tube	1	35	L4=22 Tube	2
8	Loading Bar B	4	36	M12*110 Hex Bolt	2
9	Loading Bar A	2	37	M12*85 Hex Bolt	4
10	*25*495 Shaft	2	38	M12*80 Hex Bolt	8
11	M16 Shaft	6	39	M10*90 Hex Bolt	1
12	Pad	1	40	M10*85 Hex Bolt	1
13	Connecting Tube	1	41	M10*65 Hex Bolt	1
14	Foot Plate	1	42	M10*60 Hex Bolt	1
15	Seat Pad	1	43	M8*30 Hex Bolt	4
16	Knee Pad	2	44	M12*35 Hex Bolt	2
17	*21*515 Shock	2	45	M8*45 Hex Bolt	4
18	End Cap	4	46	M8*25 Hex Bolt	4
19	*10*90 Pop Pin	2	47	M10*25 Hex Bolt	4
20	Washer for bearing t3.0**25.5**51	2	48	M10*70 Hex Bolt	2
21	t3.0**10.5**51 Shaft	2	49	M8*15 Hex Bolt	2
22	Shaft	8	50	M16 Nylon Nut	4
23	48*48*30 Rubber Stoper	2	51	M12 Nylon Nut	14
24	*80**50*16 Rubber Stoper	6	52	M10 Nylon Nut	6
25	U shape handle bar	2	53	*12 Washer	32
26	*20*134 Shaft	2	54	*10 Washer	10
27	*25**21*132 Foam Grip	2	55	*18 Washer	12
28	Foam Grip	2	56	*8.4**24*2.0 Washer	2