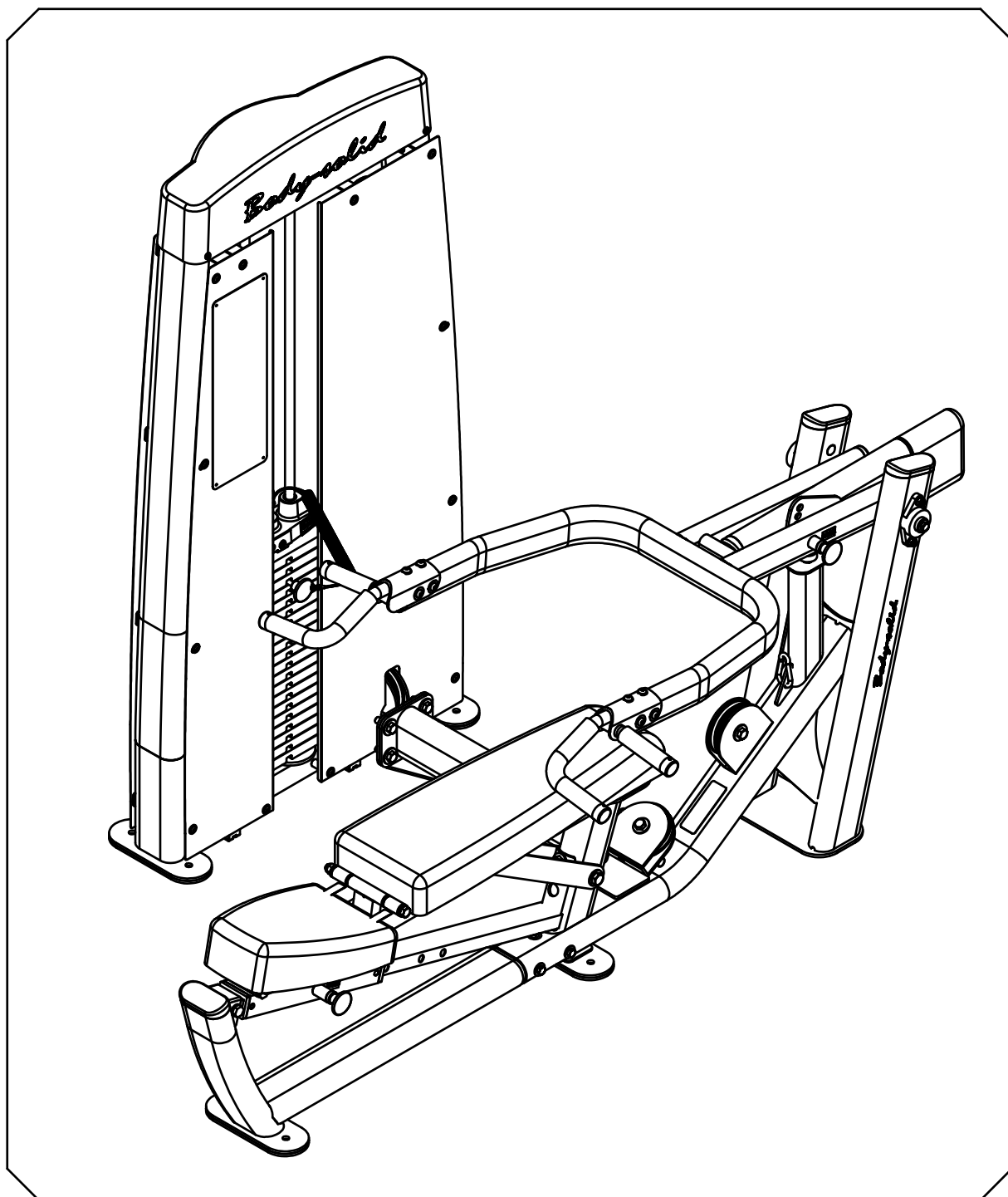


# Body-Solid

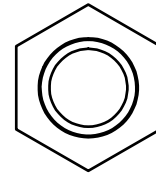
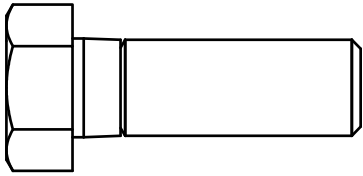


BODY-SOLID, Inc.  
1900 S. Des Plaines Ave.  
Forest Park, IL 60130 USA  
Phone: (708) 427-3555  
Fax: (708) 427-3556  
[www.bodysolid.com](http://www.bodysolid.com)

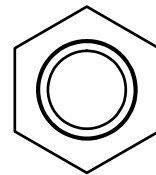
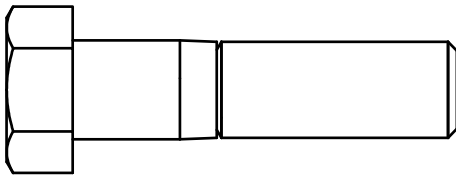
## DPRS.2 OWNER'S MANUAL

# DPRS ASSEMBLY INSTRUCTIONS

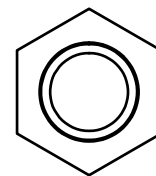
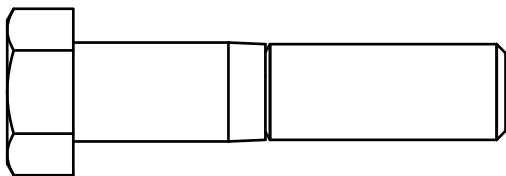
## HARDWARE ILLUSTRATION



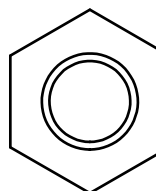
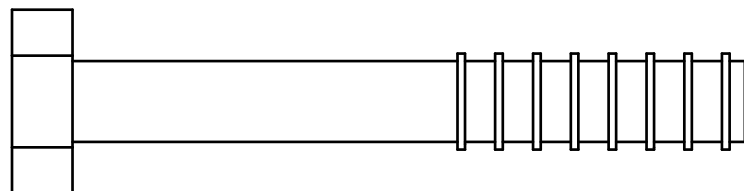
(A1)HEX BOLT 1/2"x1 1/2"L PARTIAL THREAD QTY.7



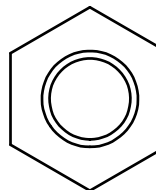
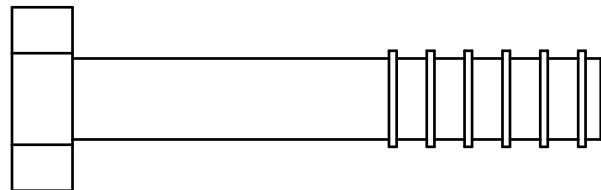
(A2)HEX BOLT 1/2"x2"L PARTIAL THREAD QTY.1



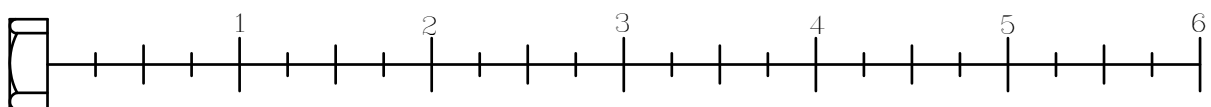
(A3)HEX BOLT 1/2"x2 1/4"L PARTIAL THREAD QTY.1



(A4)HEX BOLT 1/2"x3 1/2"L PARTIAL THREAD QTY.1

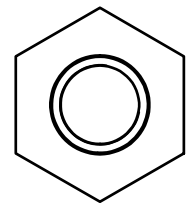
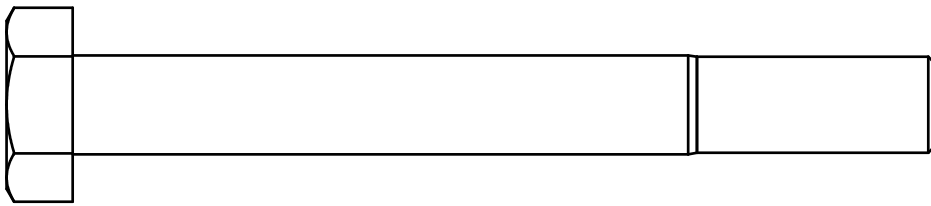


(A5)HEX BOLT 1/2"x2 3/4"L PARTIAL THREAD QTY.1

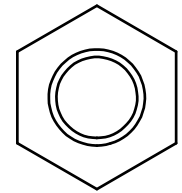
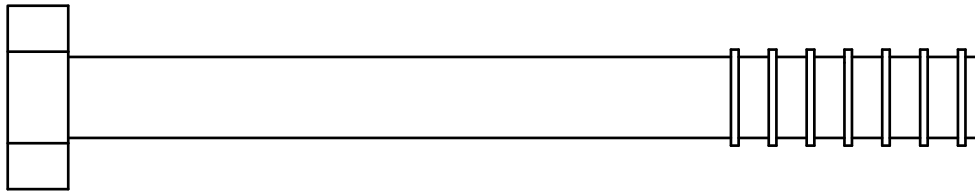


# DPRS ASSEMBLY INSTRUCTIONS

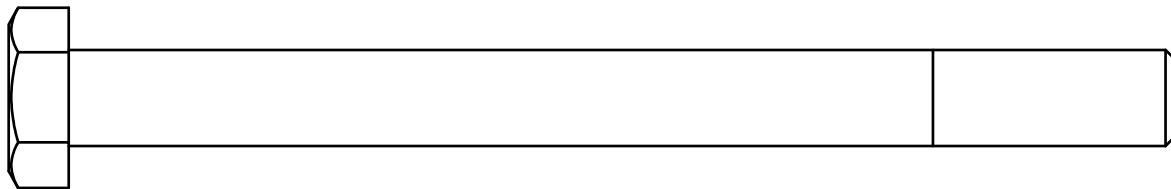
## HARDWARE ILLUSTRATION



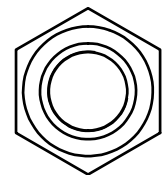
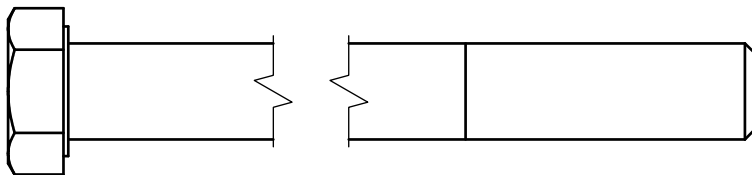
(A6)HEX BOLT 1/2"x4 1/2"L PARTIAL THREAD QTY.1



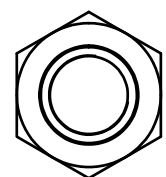
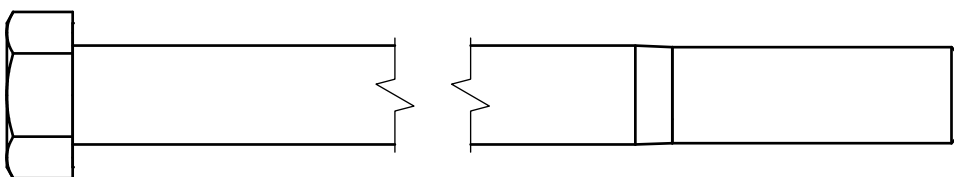
(A7)HEX BOLT 1/2"x4 3/4"L PARTIAL THREAD QTY.1



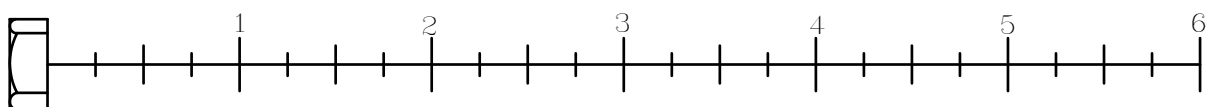
(A8)HEX BOLT 1/2"x5 3/4"L PARTIAL THREAD QTY.1



(A9)HEX BOLT 1/2"x7"L PARTIAL THREAD QTY.1

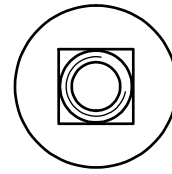
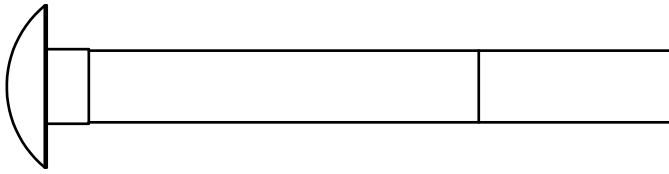


(A10)HEX BOLT 1/2"x8 1/2"L PARTIAL THREAD QTY.1

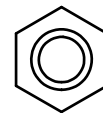
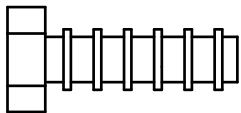


# DPRS ASSEMBLY INSTRUCTIONS

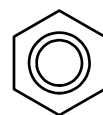
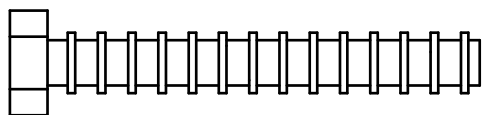
## HARDWARE ILLUSTRATION



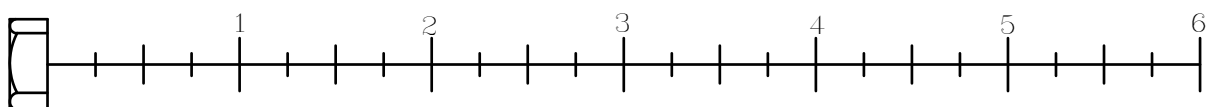
(A12)ROUND ALLEN HEAD 3/8"x3 1/8"L PARTIAL THREAD QTY.4



(A13)HEX BOLT 5/16"x1"L PARTIAL THREAD QTY.3

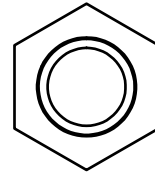
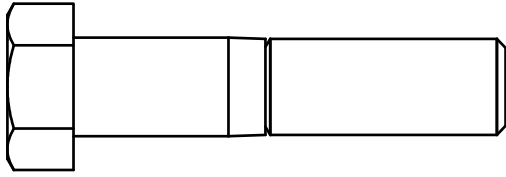


(A14)HEX BOLT 5/16"x2 1/4"L PARTIAL THREAD QTY.4

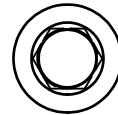
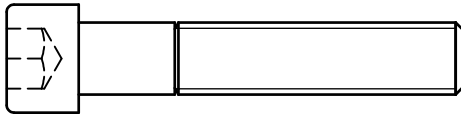


# DPRS ASSEMBLY INSTRUCTIONS

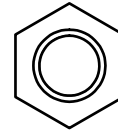
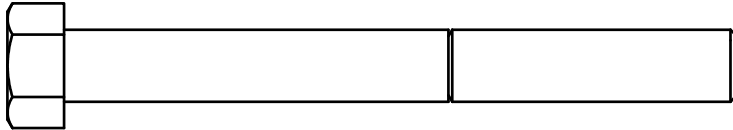
## FRAME HARDWARE ILLUSTRATION



(A16)HEX BOLT 1/2"x2 1/4"L PARTIAL THREAD QTY.4



(A18)ROUND ALLEN HEAD 3/8"X2"L PARTIAL THREAD QTY.1

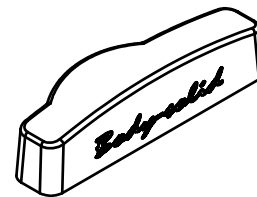


(A19)HEX BOLT 3/8"x3 1/2"L PARTIAL THREAD QTY.1

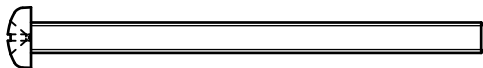


(A20)ELASTIC BOLT QTY.1

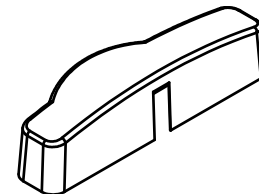
## Optional Purchase



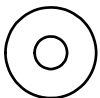
TOP CAP(9211-111)



(A17)HEX BOLT M4X65L"L PARTIAL THREAD QTY.2

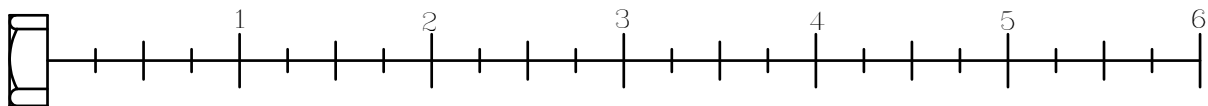


TOP CAP(9211-119)



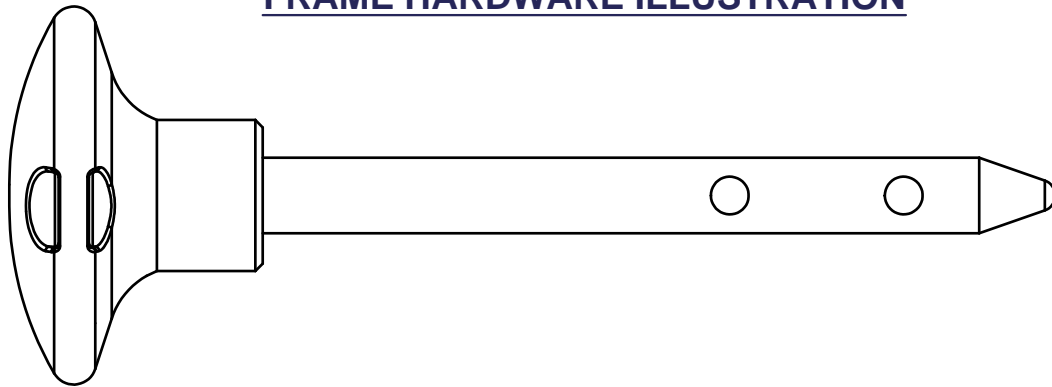
(C12)M4(I.D.)FLAT WASHER Ø12 QTY.2

"M4X65 ROUND BOLT" and "M4 WASHER" is used to assemble with 9211-111 and 9211-119 TOP CAP



# DPRS ASSEMBLY INSTRUCTIONS

## FRAME HARDWARE ILLUSTRATION



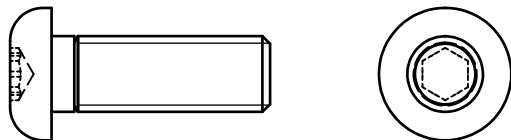
(A21)10LB PIN (8250-071) QTY.1



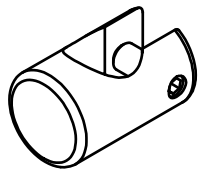
(A23)ROUND ALLEN HEAD M6X20L PARTIAL THREAD QTY.20



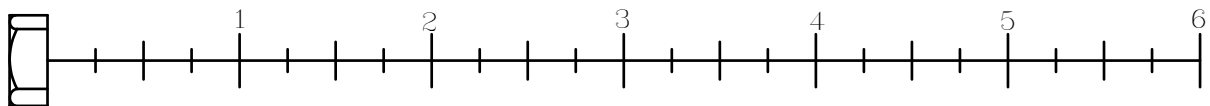
(A24)ROUND ALLEN HEAD 5/32"X1/4"L PARTIAL THREAD QTY.4



(A25)ROUND INNER HEX SCREW M10X30L PARTIAL QTY.1

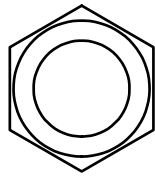
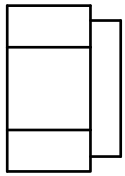


(A26)FIRM SHEATH(8890-046) QTY.1

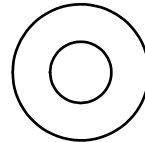
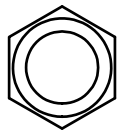
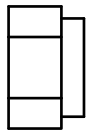


# DPRS ASSEMBLY INSTRUCTIONS

## HARDWARE ILLUSTRATION

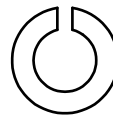
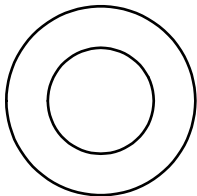


(B1) NYLON LOCK NUT 1/2" QTY.14



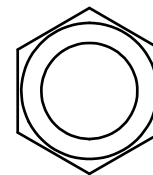
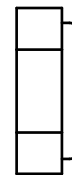
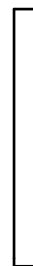
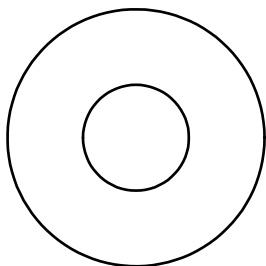
(B2) NYLON LOCK NUT 3/8" QTY.4

(C5) 5/16" (I.D.) FLAT WASHER  $\varnothing$ 18 QTY.7



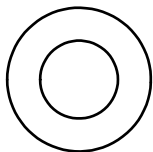
(C1) 1/2" (I.D.) FLAT WASHER  $\varnothing$ 25 QTY.14

(C6) 5/16" SPRING WASHER QTY.7

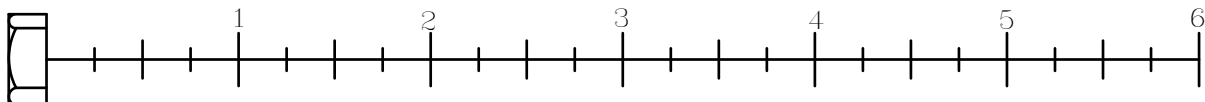


(B6) NYLON LOCK NUT 1/2" X 8H QTY.1

(C2) 1/2" (I.D.) FLAT WASHER  $\varnothing$ 34 QTY.15

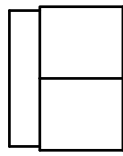
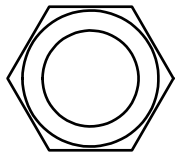


(C3) 3/8" (I.D.) FLAT WASHER  $\varnothing$ 19 QTY.4

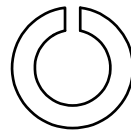


# DPRS ASSEMBLY INSTRUCTIONS

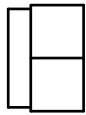
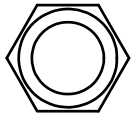
## FRAME HARDWARE ILLUSTRATION



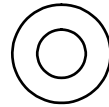
(B4)NYLON LOCK NUT 1/2" QTY.4



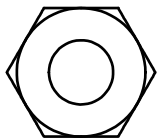
(C10)3/8" SPRING WASHER QTY.1



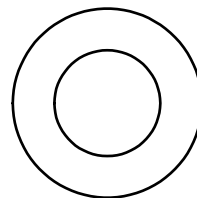
(B5)NYLON LOCK NUT 3/8" QTY.1



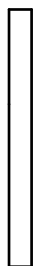
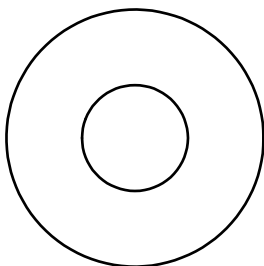
(C11)M6(I.D.)FLAT WASHER Ø13 QTY.20



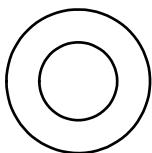
(B6)NYLON LOCK NUT M10 QTY.1



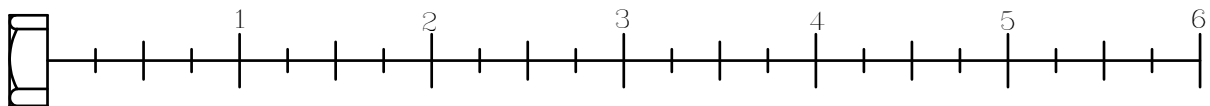
(C13)1/2"(I.D.)FLAT WASHER Ø25 QTY.2



(C8)1/2"(I.D.)FLAT WASHER Ø34 QTY.6



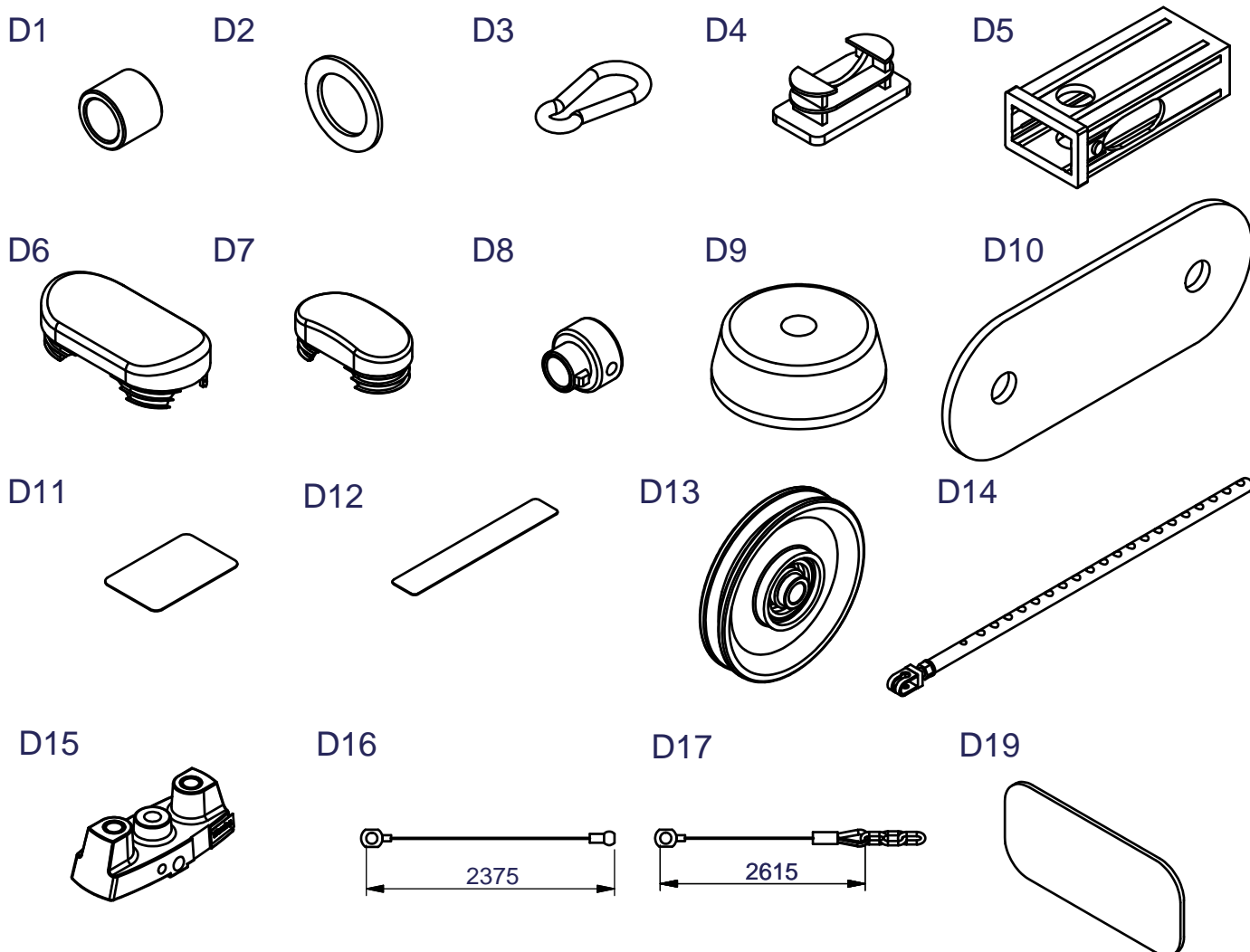
(C9)3/8"(I.D.)FLAT WASHER Ø19 QTY.2



# DPRS ASSEMBLY INSTRUCTIONS

## HARDWARE ILLUSTRATION

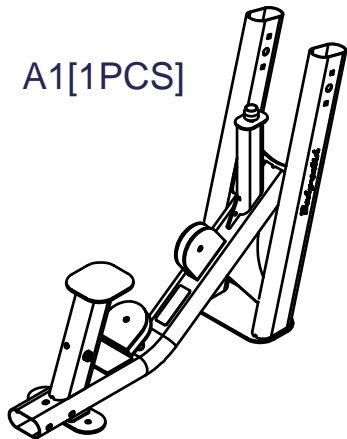
D1.Ø3/4"X16L STEEL BUSHING (8110-066)	[2PCS]
D2.Ø30XØ20X1.5T CU WASHER (8520-007)	[4PCS]
D3.Ø8 SPRING SNAP LINK(8810-001)	[1PCS]
D4.20X40 END CAP(9211-008)	[4PCS]
D5.50X75(30X60)NYLON BUSHING(9211-083)	[2PCS]
D6.58X116 END CAP(9211-112)	[4PCS]
D7.40X80 END CAP(9211-113)	[2PCS]
D8.Ø3/4" SHAFT COLLAR(9211-046)	[2PCS]
D9.Ø4" RUBBER DOUNT(9310-017)	[2PCS]
D10.95X250 RUBBER PAD(9310-060)	[4PCS]
D11.40X70 FRICTION TAPE(9440-068)	[2PCS]
D12.20X120 FRICTION TAPE(9440-083)	[2PCS]
D13.Ø117 PULLEY(9213-010B)	[7PCS]
D14.WEIGHT SELECTOR BAR(8210-042B)	[1PCS]
D15.TOP PLATE(8400-006)	[1PCS]
D16.2375mm STEEL CABLE(FDPRSA)	[1PCS]
D17.2615mm STEEL CABLE(FDPRSB)	[1PCS]
D18.DPRS For DGYM Steel Cable(FDPRSC)	[1PCS]
D19.95X250 RUBBER PAD(9310-061)	[1PCS]



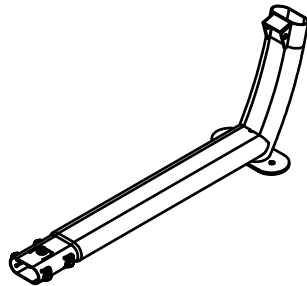
# DPRS ASSEMBLY INSTRUCTIONS

## PARTS ILLUSTRATION SHEET

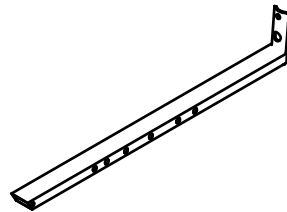
A1[1PCS]



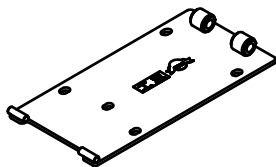
B[1PCS]



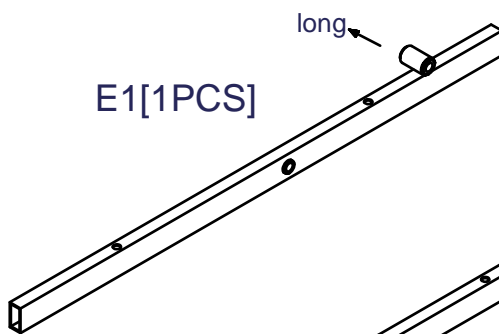
C[1PCS]



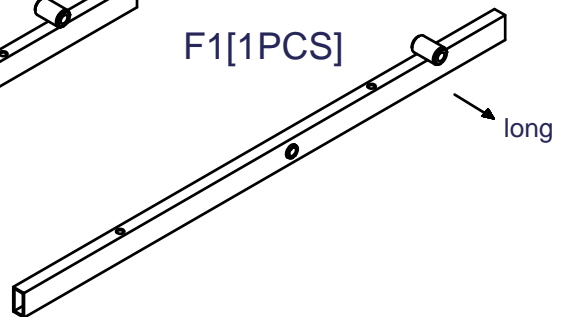
D1[1PCS]



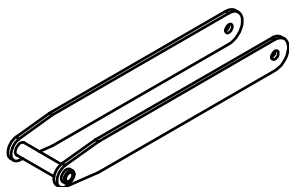
E1[1PCS]



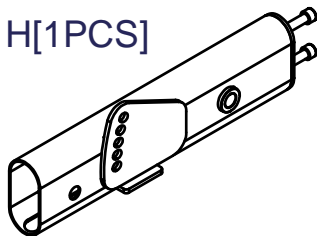
F1[1PCS]



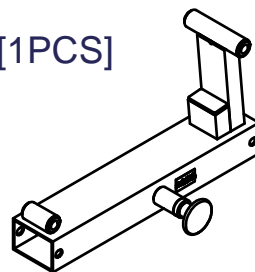
G[1PCS]



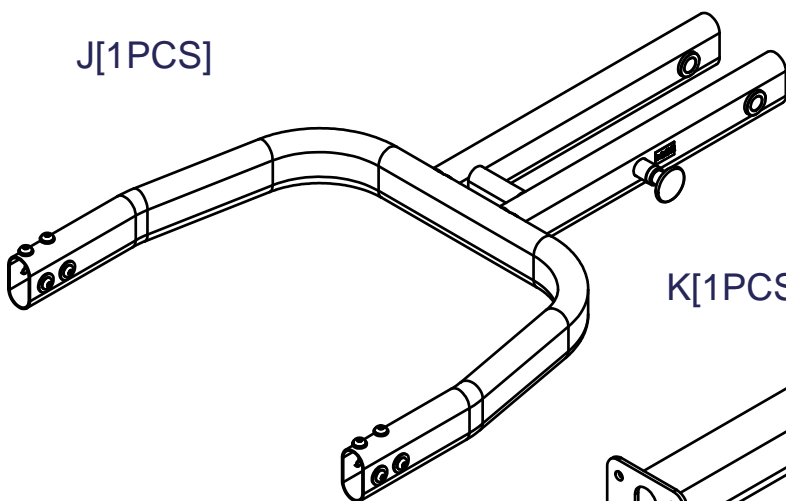
H[1PCS]



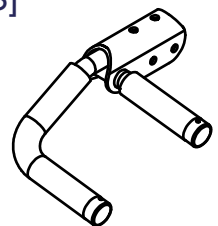
I[1PCS]



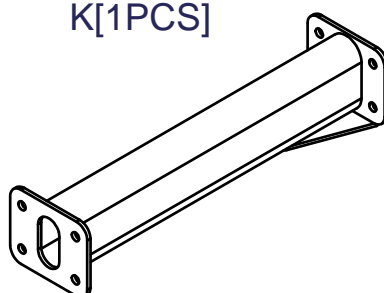
J[1PCS]



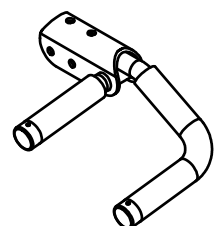
L[1PCS]



K[1PCS]



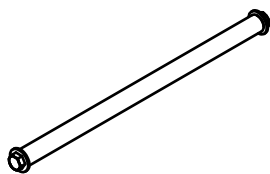
M[1PCS]



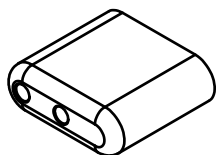
# DPRS ASSEMBLY INSTRUCTIONS

## PARTS ILLUSTRATION SHEET

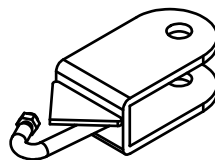
N[1PCS]  
8220-136  
Ø20X360L



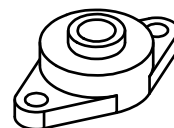
O[1PCS]  
8230-009



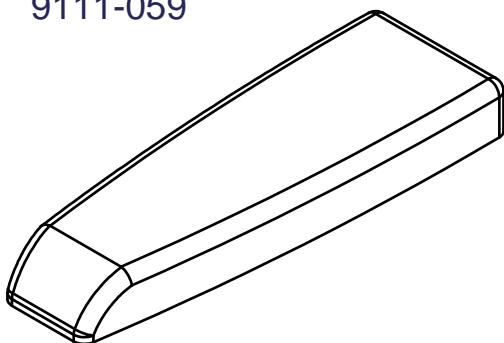
P[1PCS]  
6640-001



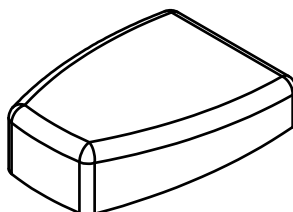
Q[2PCS]  
8510-040



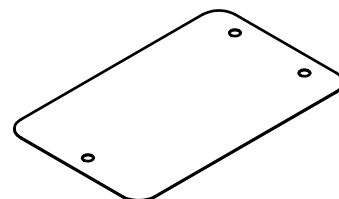
R[1PCS]  
9111-059



S[1PCS]  
9121-056



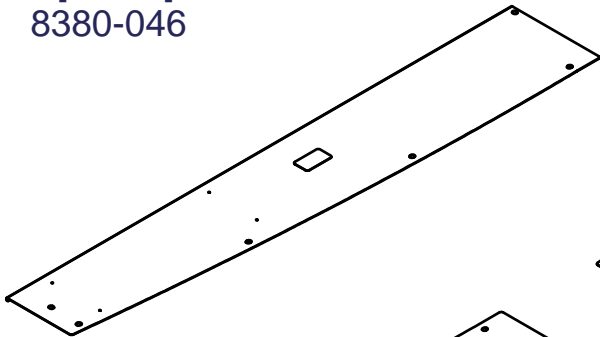
T[1PCS]  
9170-002



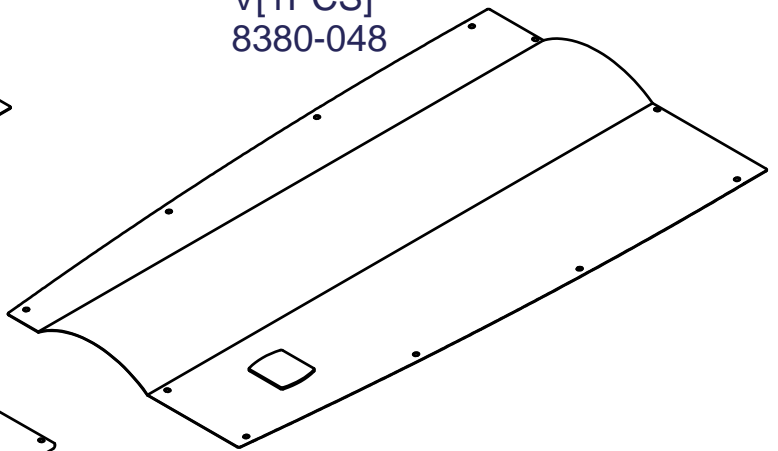
# DPRS ASSEMBLY INSTRUCTIONS

## FRAME PARTS ILLUSTRATION SHEET

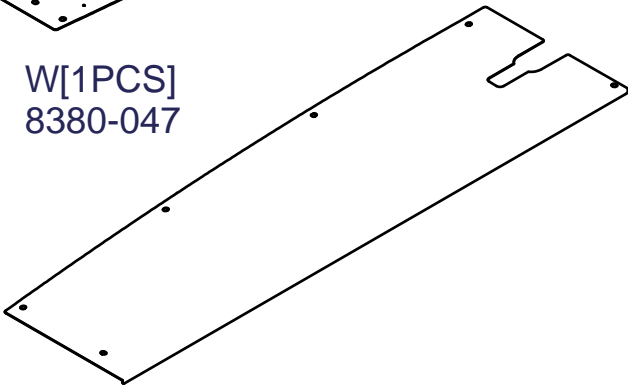
U[1PCS]  
8380-046



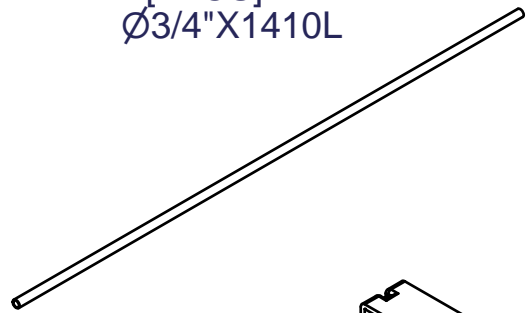
V[1PCS]  
8380-048



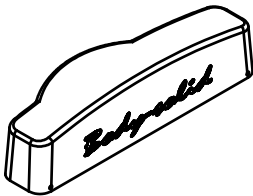
W[1PCS]  
8380-047



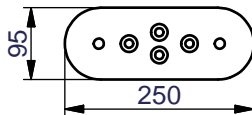
X[2PCS]  
Ø3/4"X1410L



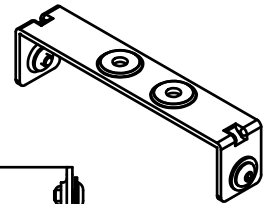
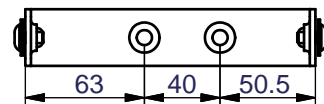
AG[1PCS]  
9211-111A



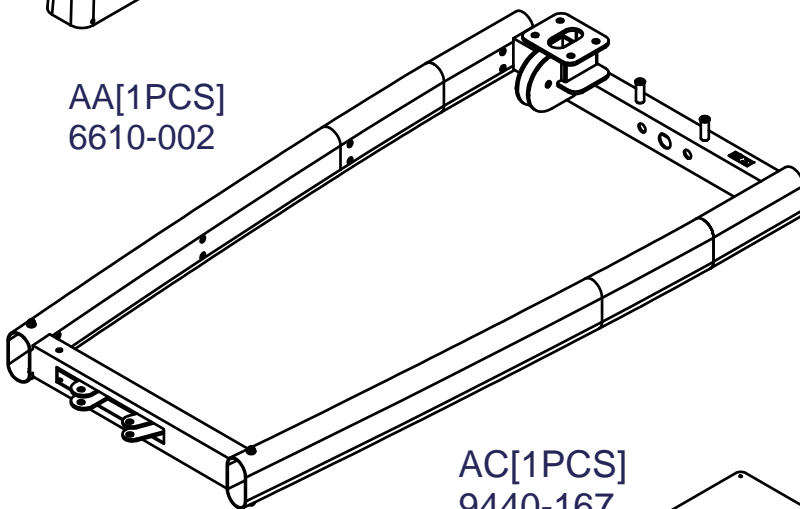
Z[2PCS]  
8313-144



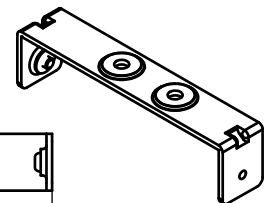
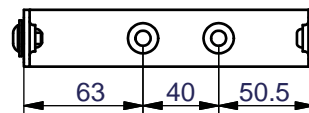
AD[9PCS]  
8321-040  
both side



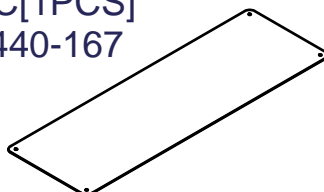
AA[1PCS]  
6610-002



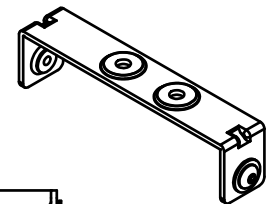
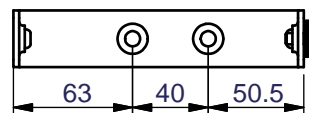
AE[1PCS]  
8321-040  
one side



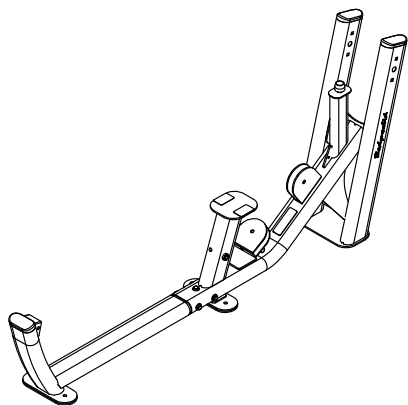
AC[1PCS]  
9440-167



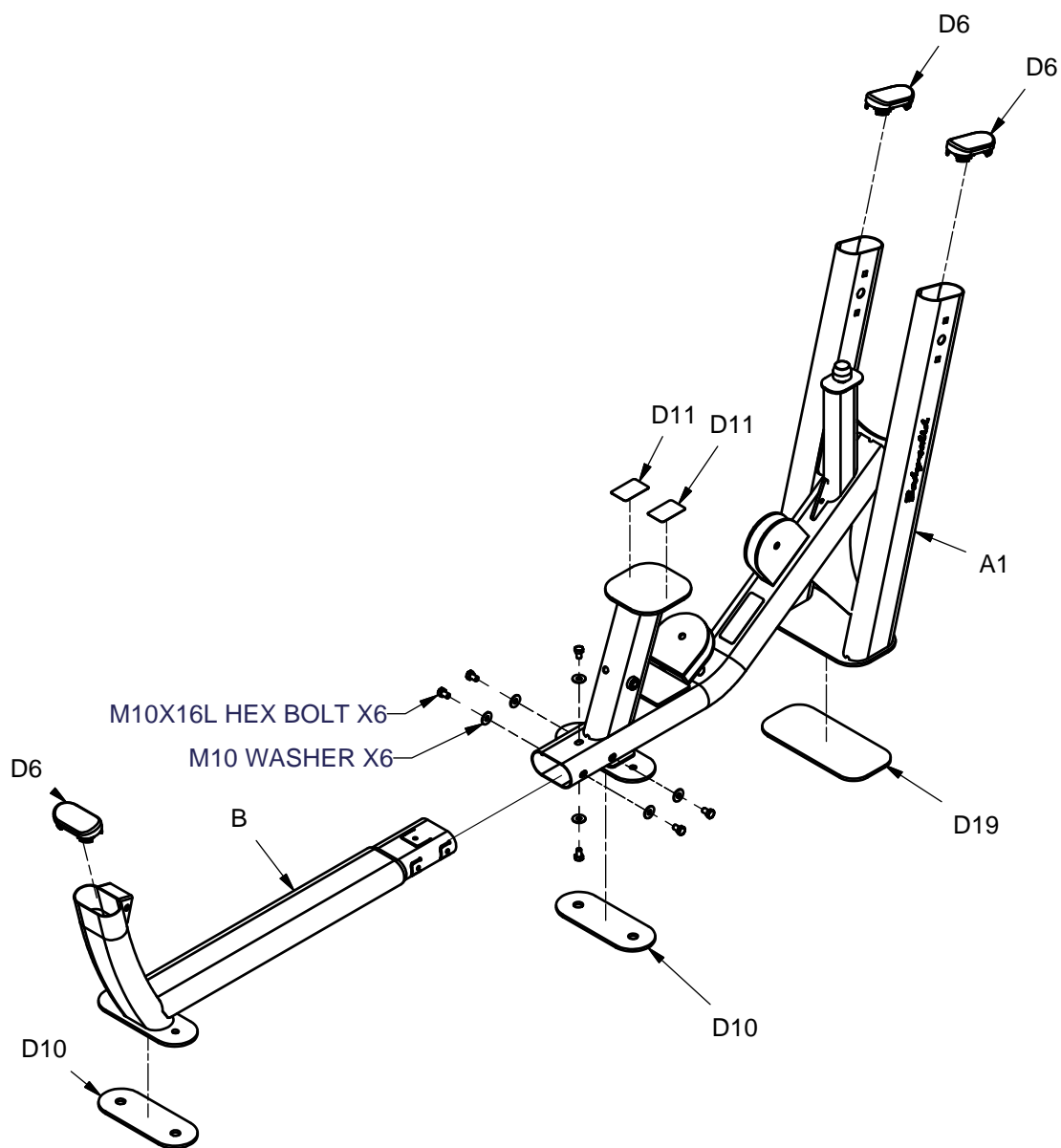
AF[2PCS]  
8321-040  
one side



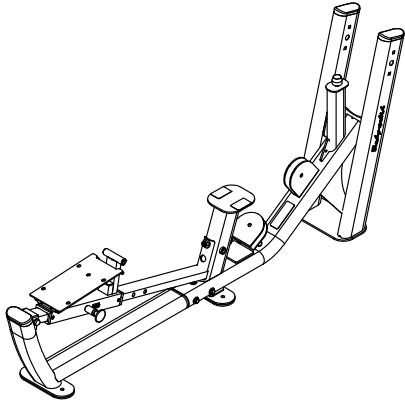
# DPRS ASSEMBLY INSTRUCTIONS



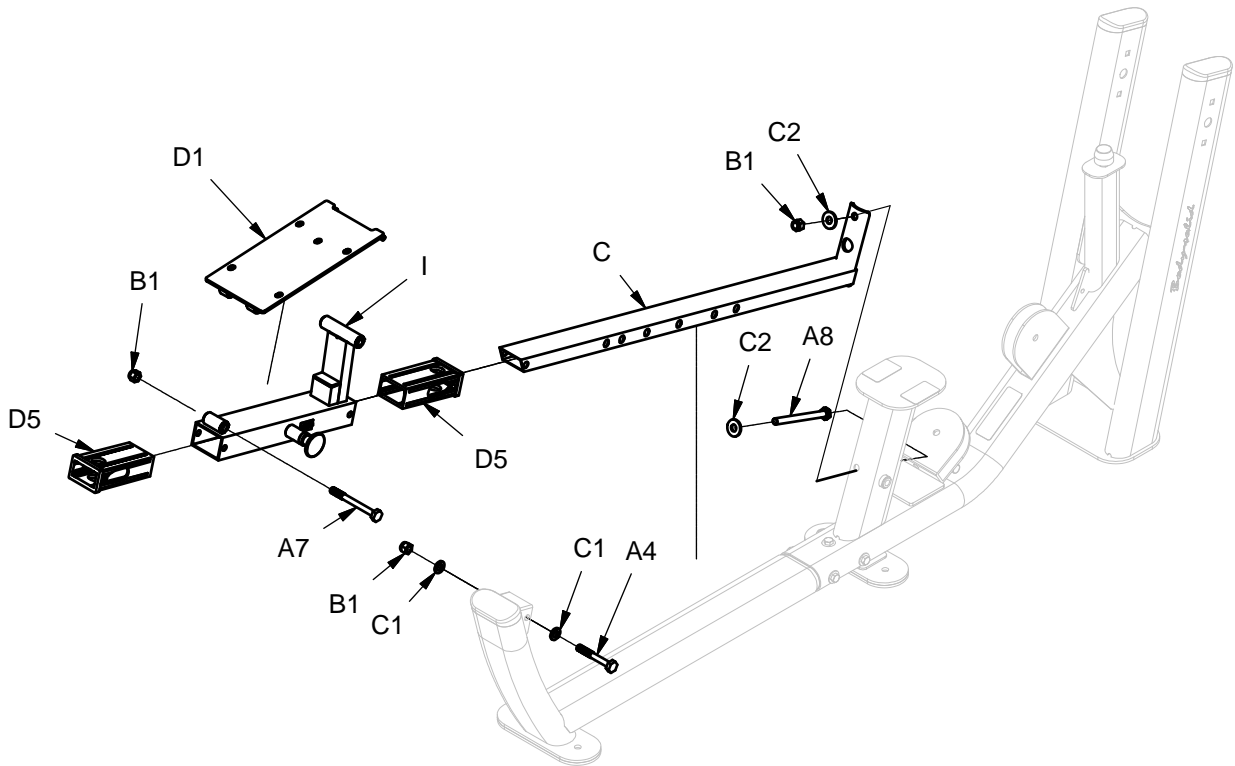
Above shows STEP 1  
assembled and completed



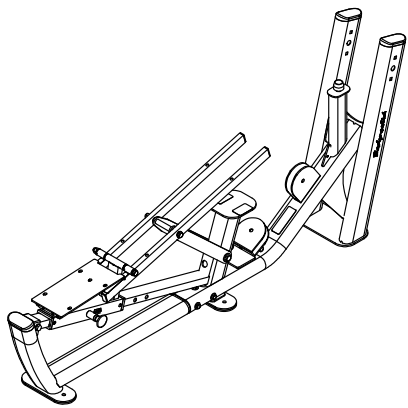
# DPRS ASSEMBLY INSTRUCTIONS



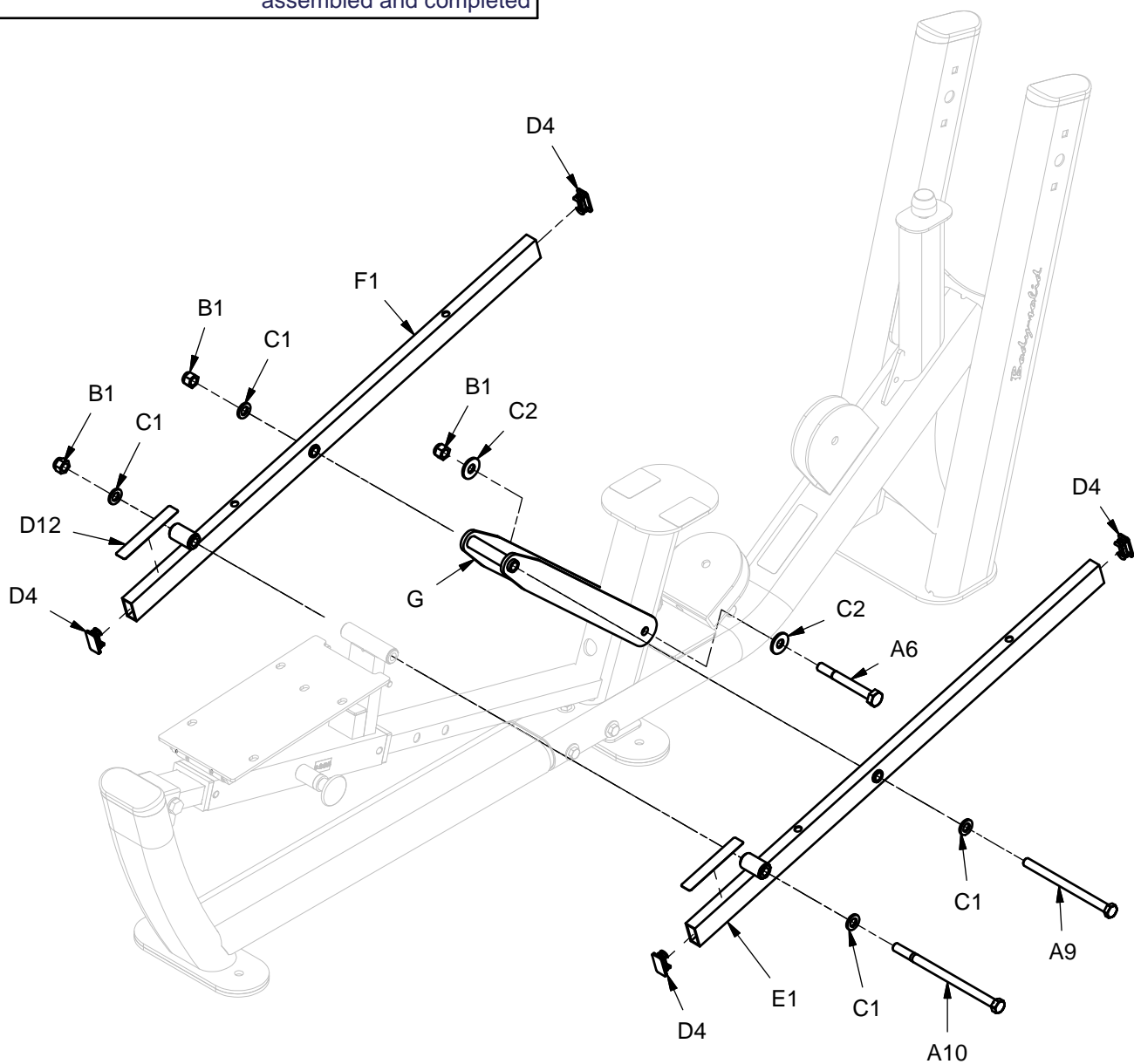
Above shows STEP 2  
assembled and completed



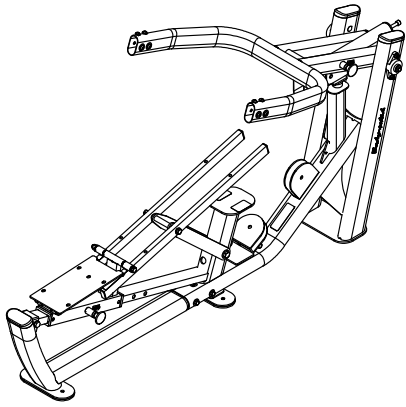
# DPRS ASSEMBLY INSTRUCTIONS



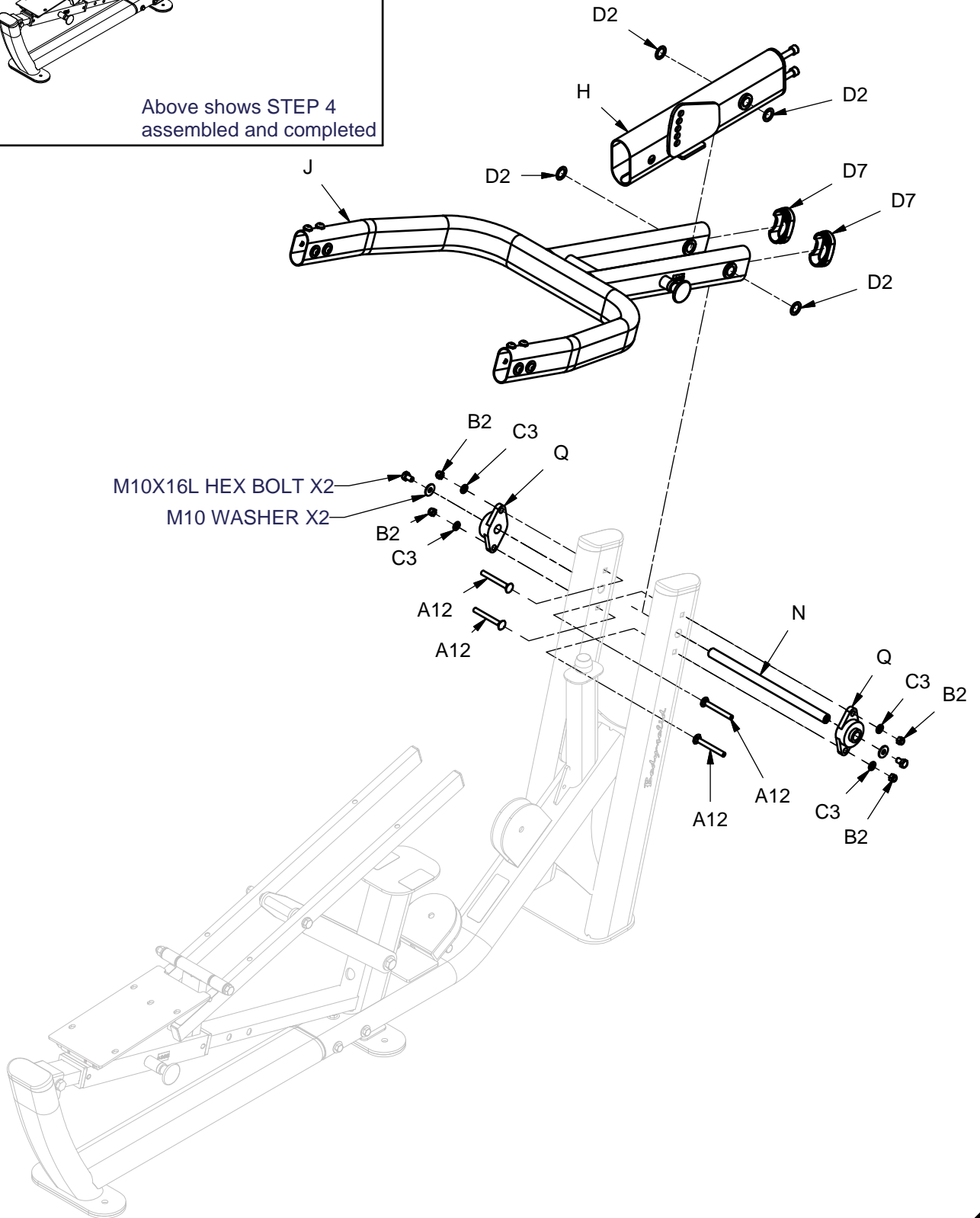
Above shows STEP 3  
assembled and completed



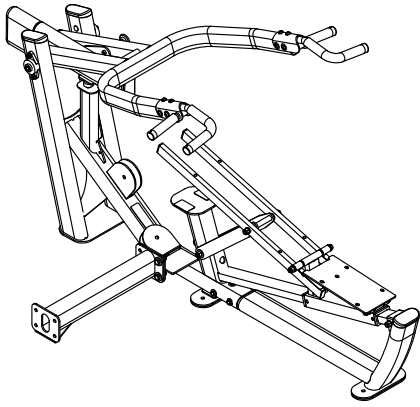
# DPRS ASSEMBLY INSTRUCTIONS



Above shows STEP 4 assembled and completed

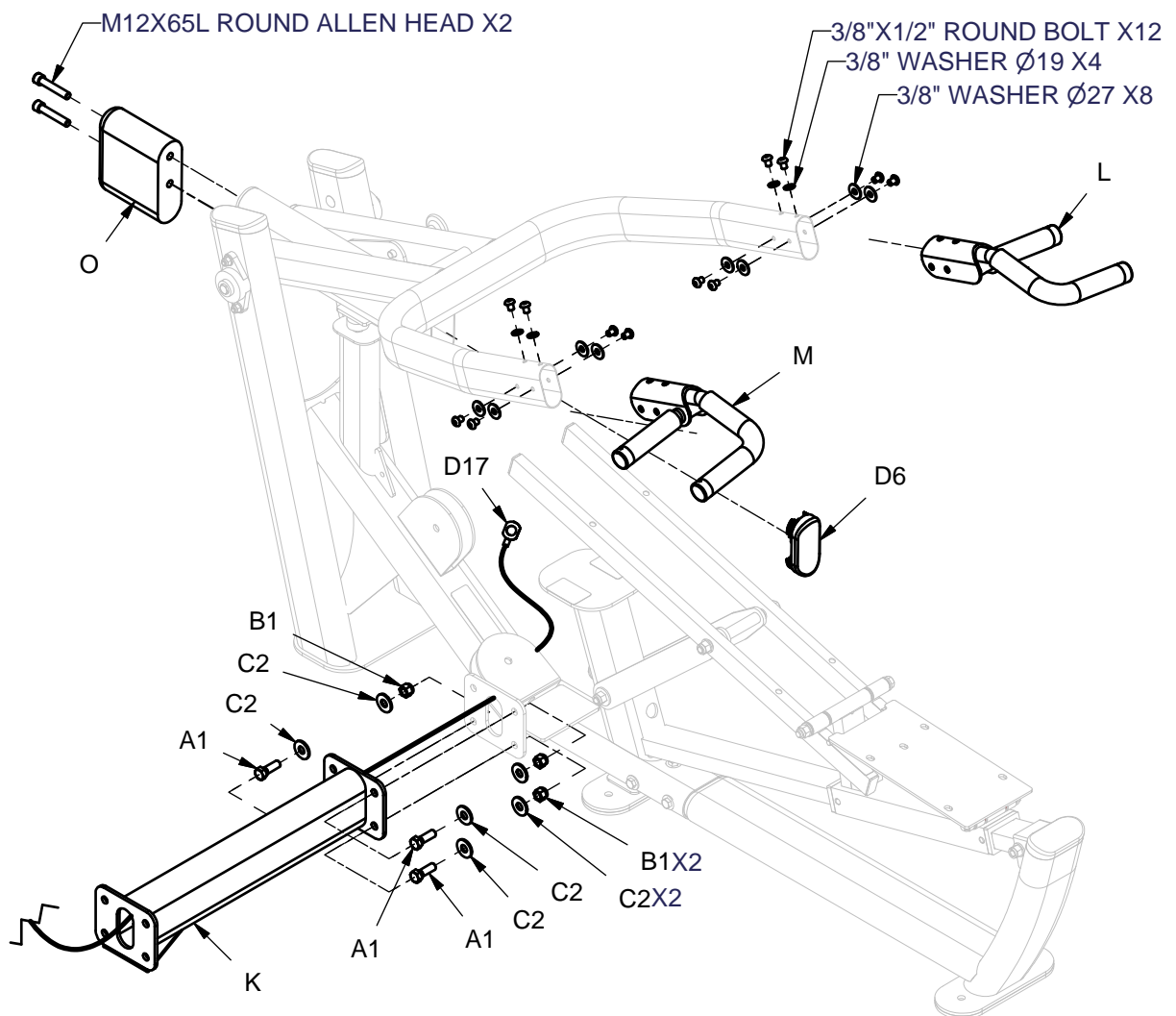
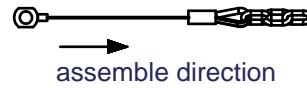


# DPRS ASSEMBLY INSTRUCTIONS

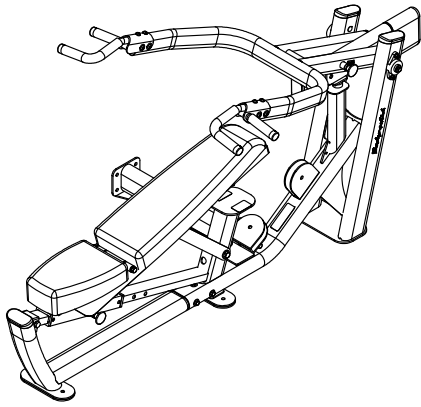


Above shows STEP 5 assembled and completed

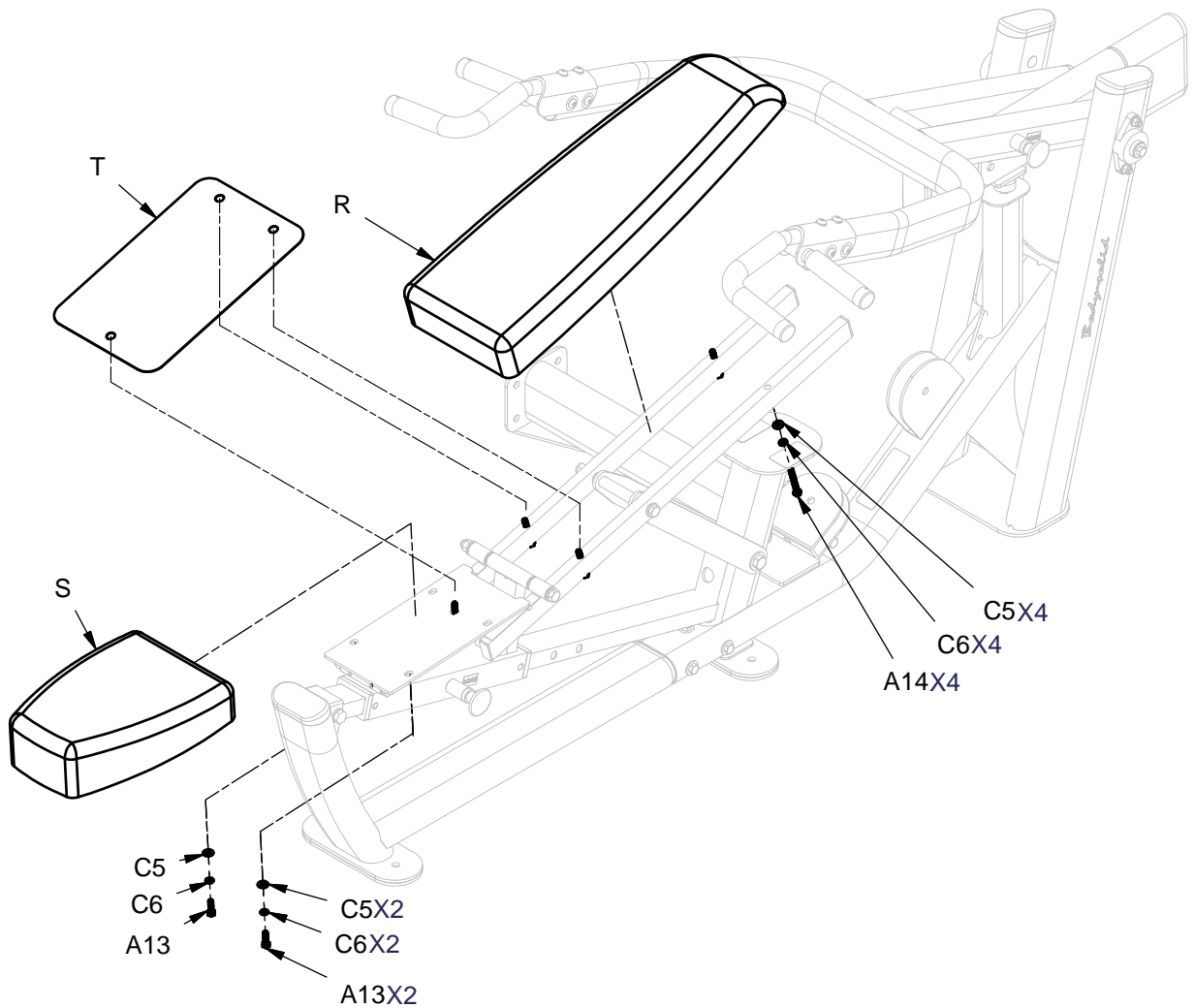
D17



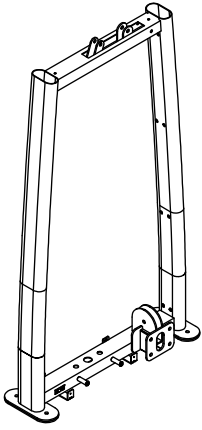
# DPRS ASSEMBLY INSTRUCTIONS



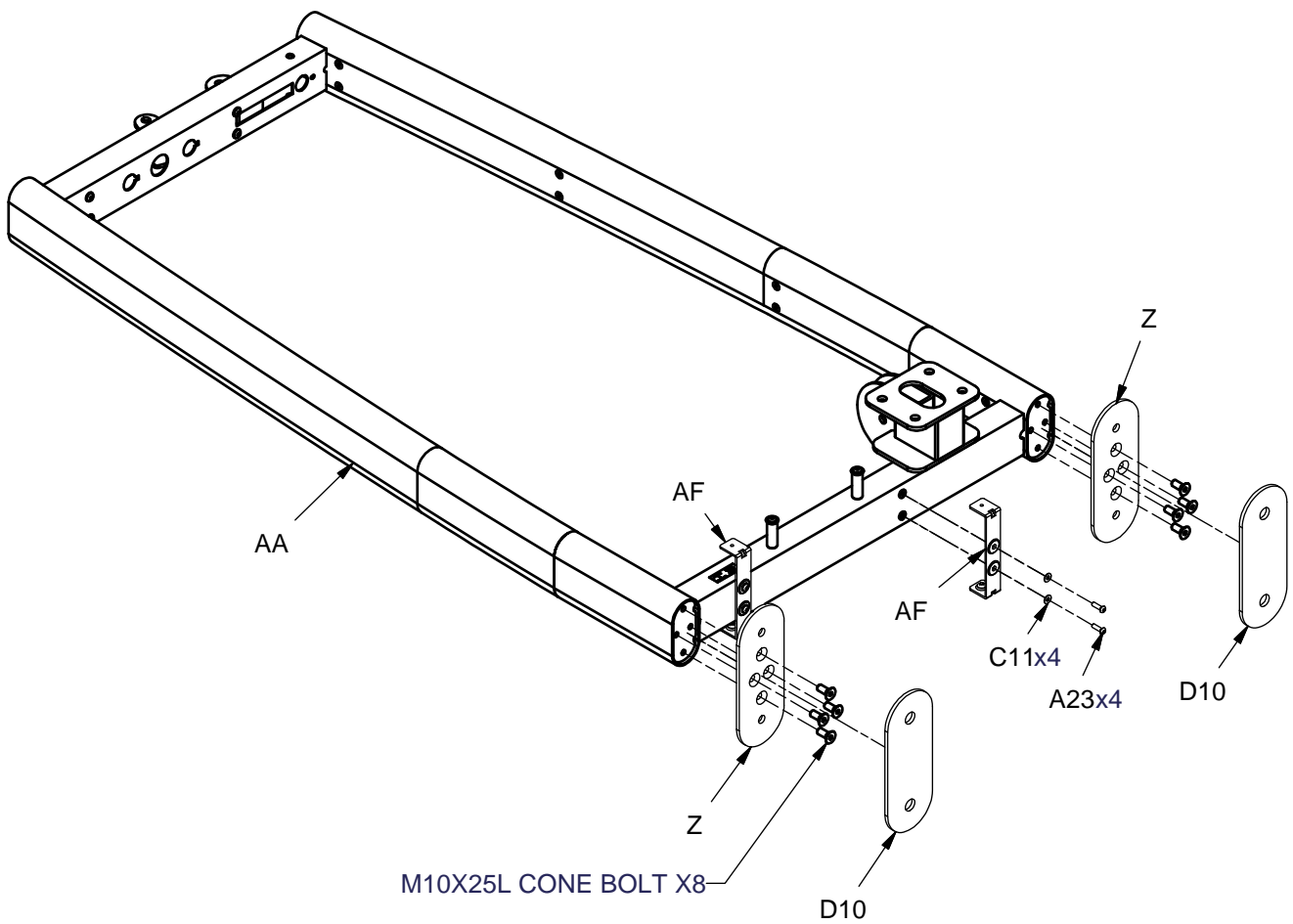
Above shows STEP 6  
assembled and completed



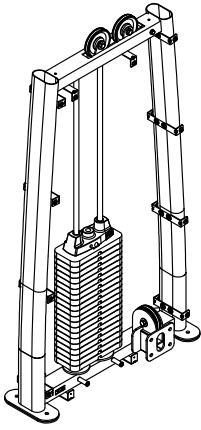
# DPRS ASSEMBLY INSTRUCTIONS



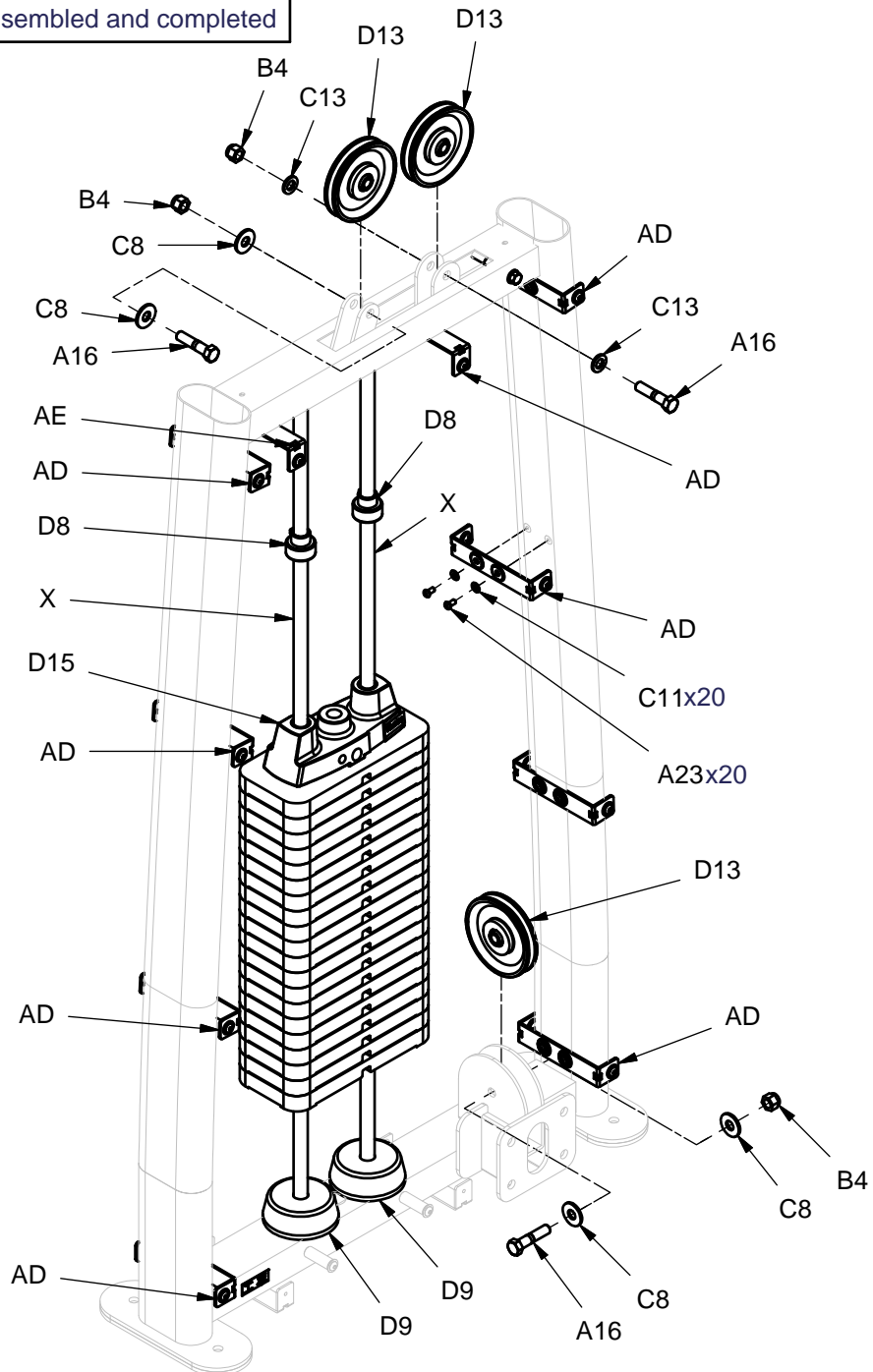
Above shows STEP 7  
assembled and completed



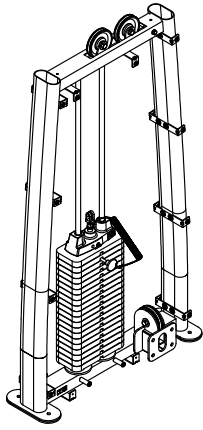
# DPRS ASSEMBLY INSTRUCTIONS



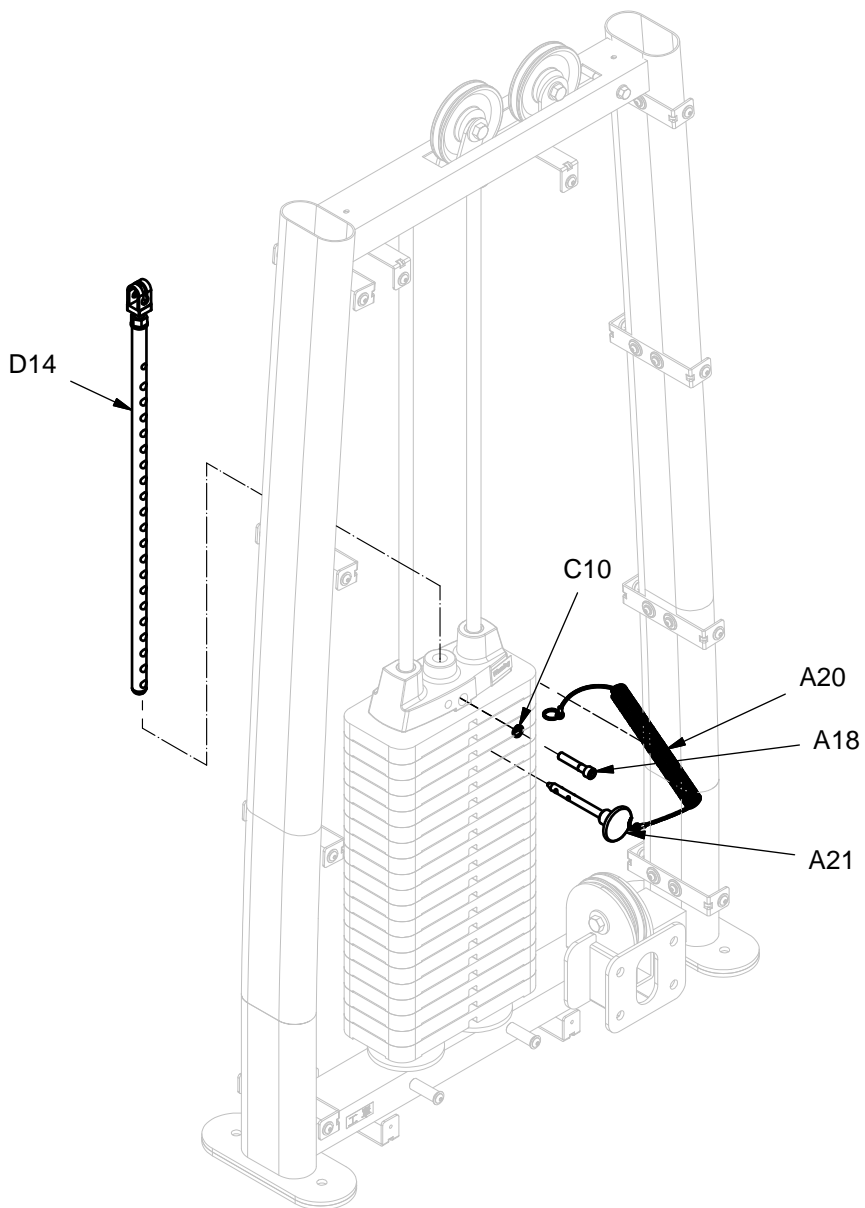
Above shows STEP 8 assembled and completed



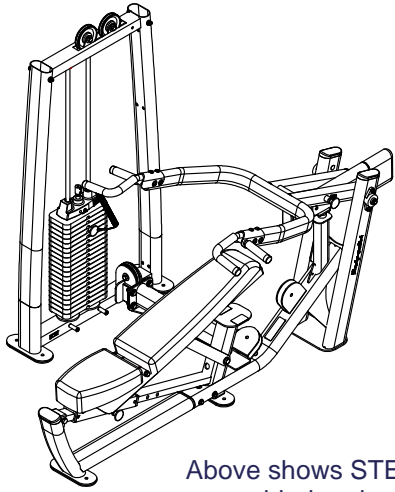
# DPRS ASSEMBLY INSTRUCTIONS



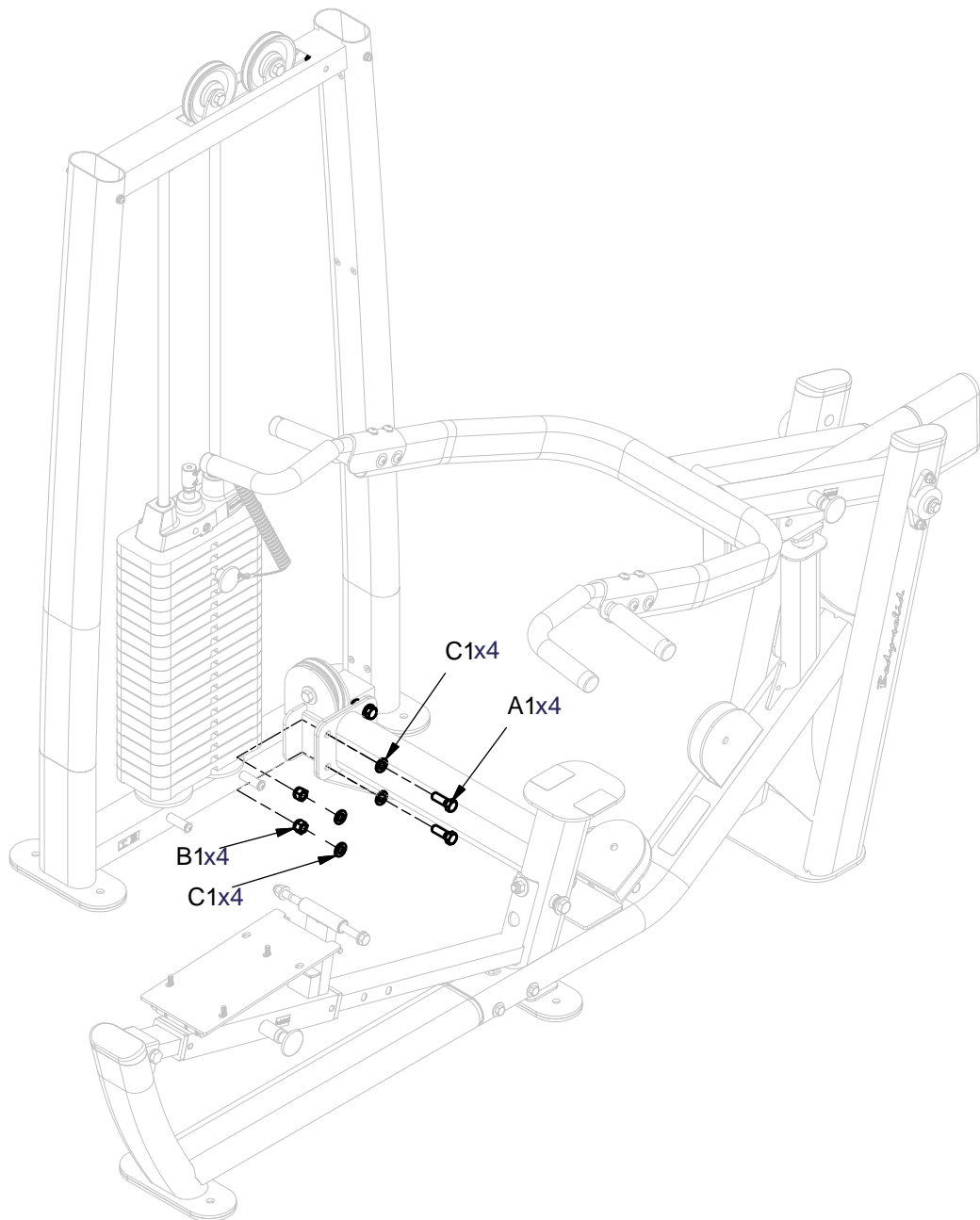
Above shows STEP 9  
assembled and completed



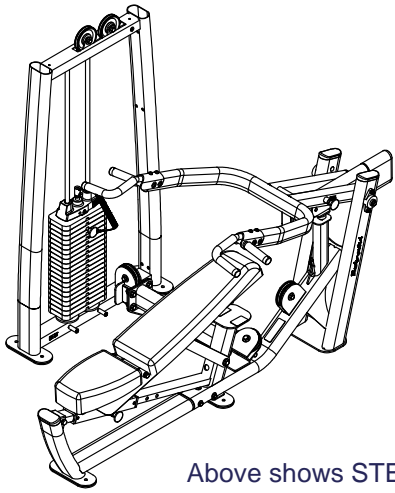
# DPRS ASSEMBLY INSTRUCTIONS



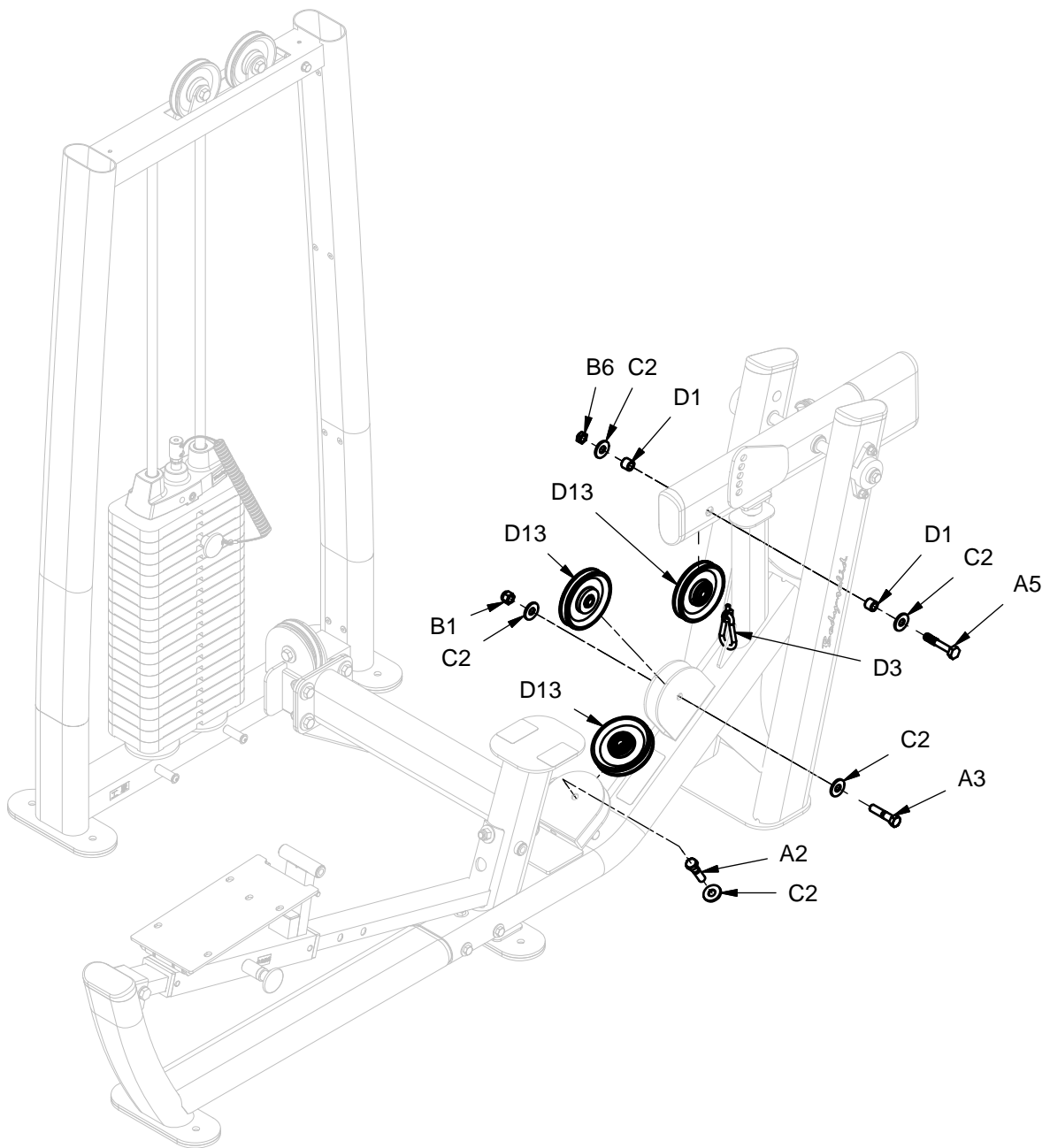
Above shows STEP 10  
assembled and completed



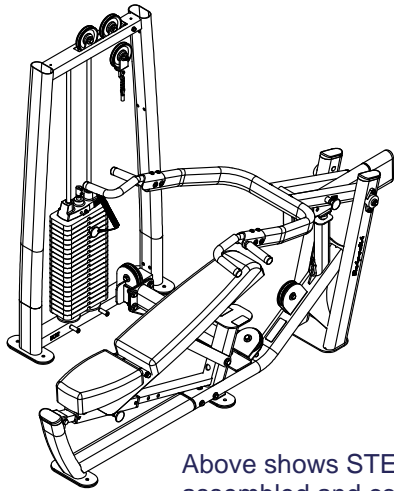
# DPRS ASSEMBLY INSTRUCTIONS



Above shows STEP 11  
assembled and completed

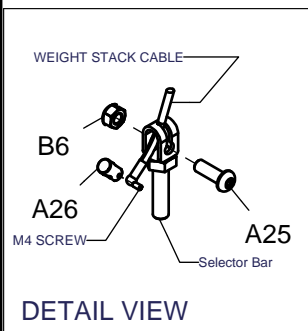
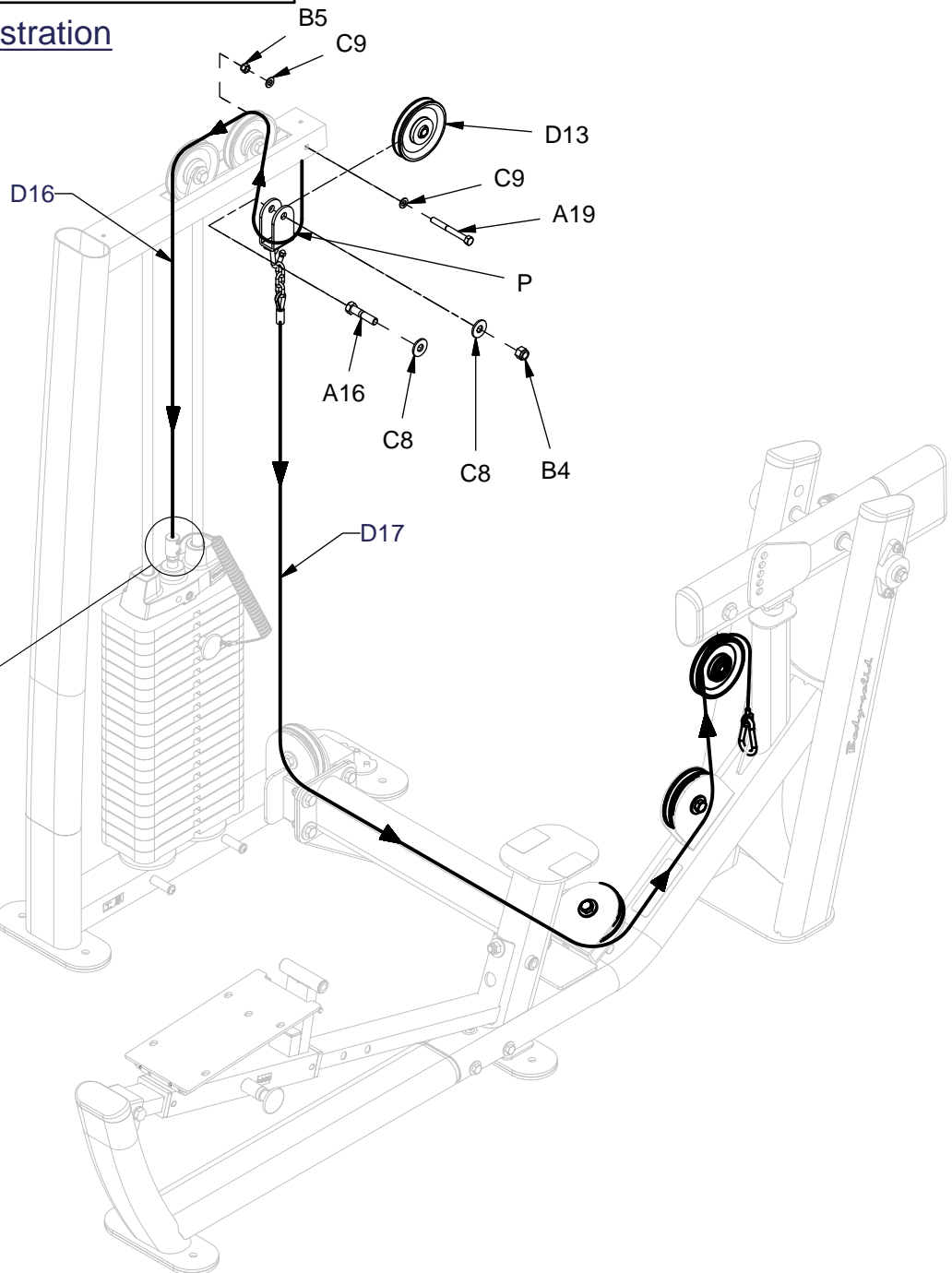


# DPRS ASSEMBLY INSTRUCTIONS

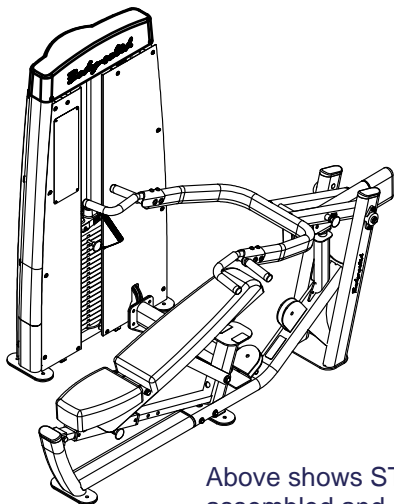


Above shows STEP 12 assembled and completed

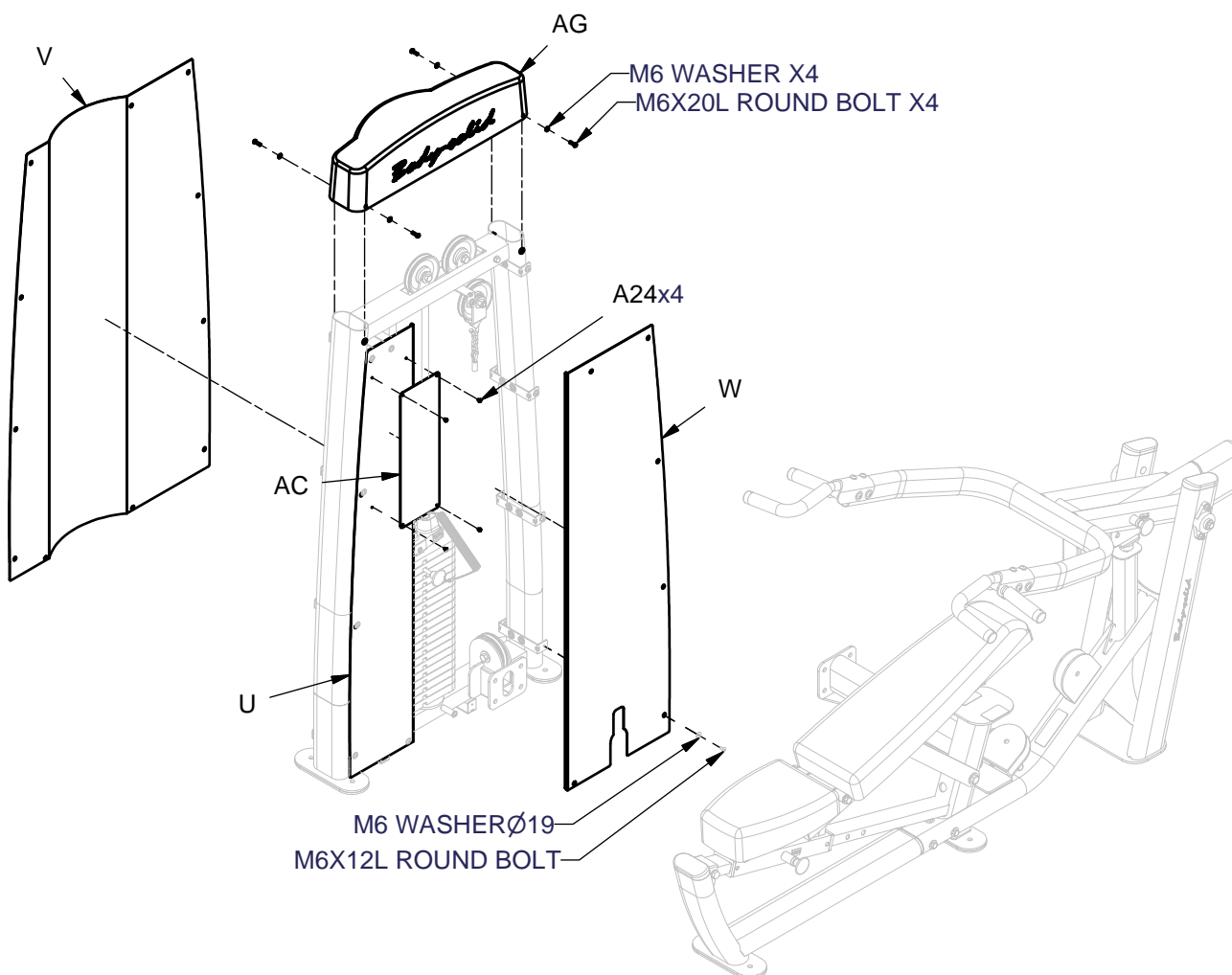
## Cable to match illustration



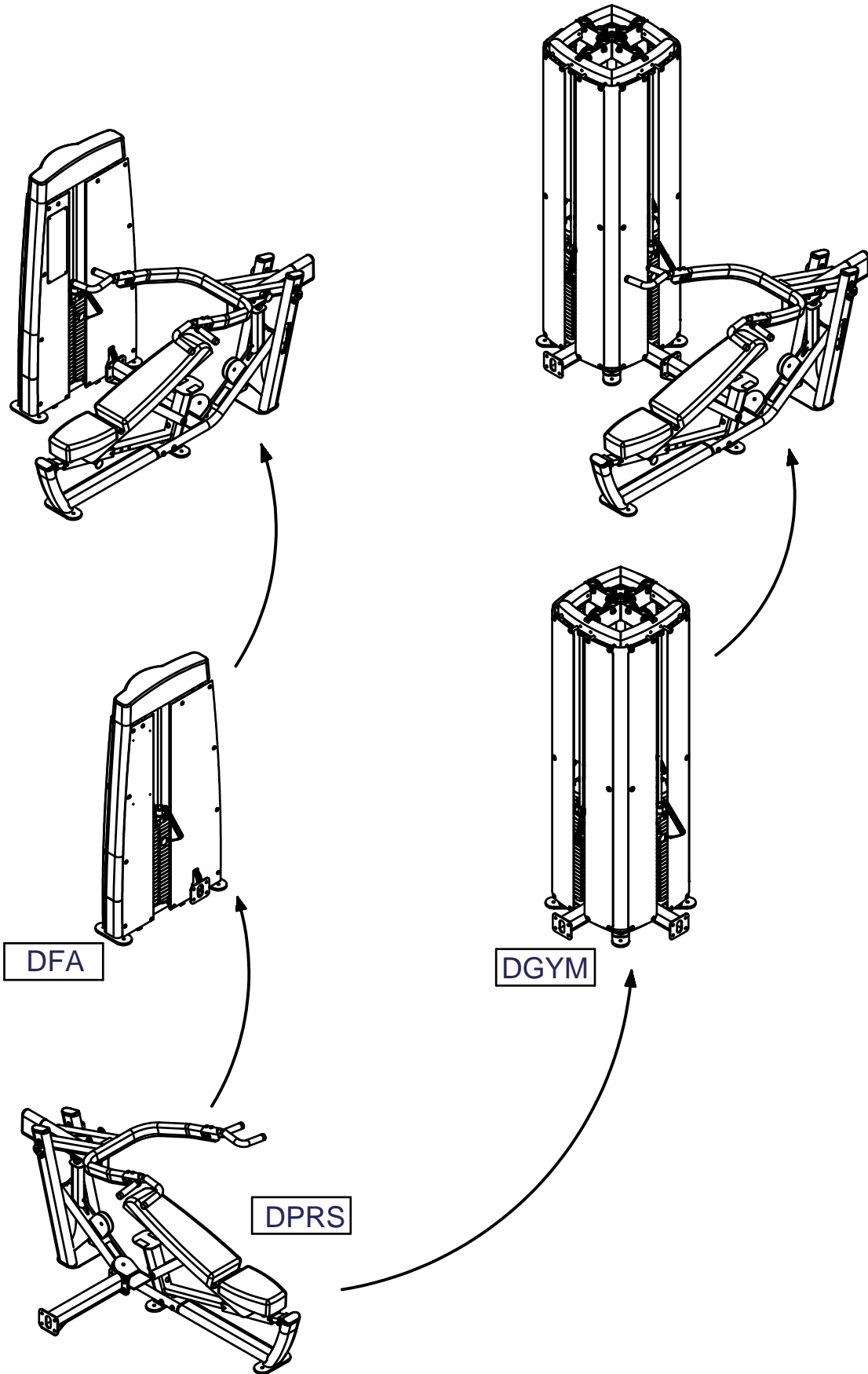
# DPRS ASSEMBLY INSTRUCTIONS



Above shows STEP 12  
assembled and completed



# DPRS ASSEMBLY INSTRUCTIONS



# DPRS ASSEMBLY INSTRUCTIONS

Cable to match illustration

