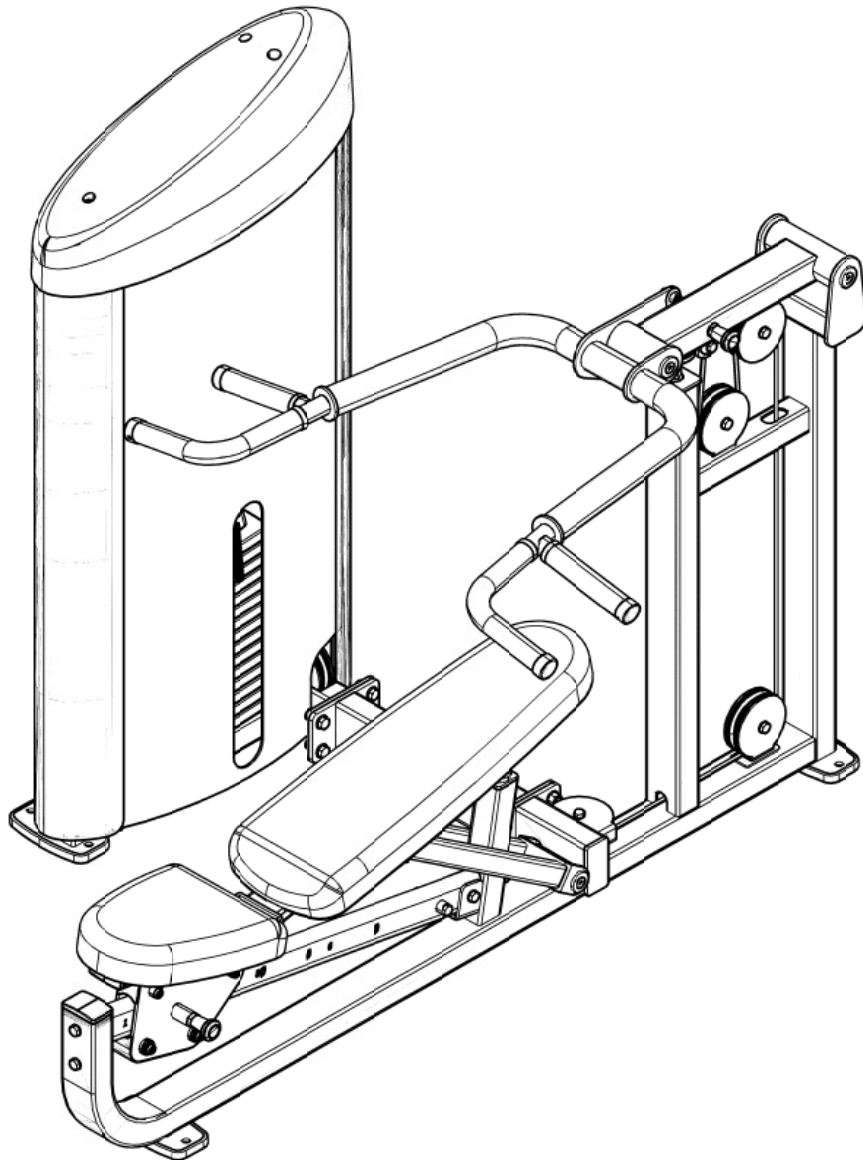


# Body-Solid®

Built for Life



## S2MP

Assembly

Instructions

**OWNER'S**

**&**

**MANUAL**

v. S2MP-082812

# Warning, Safety & Maintenance

Be sure that all users carefully read and understand all warning, safety and maintenance labels on the machine before each use. Failure to do so may result in death or serious injury.

It is imperative that you retain this Owner's Manual and be sure all warning labels are legible and intact. Replacement Owner's Manuals and warning labels are available from your local Body-Solid dealer.

If you have any questions about the operation, set up or maintenance of this machine please call our customer service department at 1 (800) 556-3113.

**THERE IS A RISK ASSUMED BY INDIVIDUALS WHO USE THIS TYPE OF EQUIPMENT. TO MINIMIZE RISK, YOU MUST FOLLOW THESE RULES:**

1. Inspect equipment before each workout. Check that all nuts, bolts, screws and pop pins are in place and fully tightened. Also, before use, check cables for signs of wear. Replace all worn parts immediately. Never use machine if any parts are damaged or missing. **FAILURE TO FOLLOW THESE RULES MAY RESULT IN SERIOUS INJURY.**
2. Keep clear of the cables and all moving parts when the machine is in use.
3. Always make sure all Snap Links are closed when doing any cable/pulley/strap exercises.
4. Exercise with care. Perform your exercises at a smooth moderate pace; never perform jerky or uncoordinated movements that may cause injury.
5. It is recommended that you should workout with a training partner.
6. Do not allow children or minors to play on or around this equipment.
7. If unsure of proper use of equipment, call your local Body-Solid distributor or the Body-Solid customer service department at 1-800-556-3113.
8. **WARNING:** Consult your physician before starting your exercise program. For your own safety, do not begin any exercise program without proper instruction. RAL8-6-03 WC-54

## WARNING

### Safety and Maintenance of Cables

**IMPORTANT:** Cables are wear items. It is your responsibility to prevent unexpected breakage. **Cable inspection should be performed daily.** Inspect all cables, the nylon coating on all cables, and the area near the fitting at each end of each cable. **Replace any damaged or worn cable immediately.** Do not allow the machine to be used until damaged or worn cables are replaced. Using or allowing a machine to be used with a suspect cable can result in serious injury. See Owner's Manual for more information.

For Body-Solid Customer Service  
Call **1-800-556-3113**

<b>MAINTENANCE SCHEDULE</b>		DAILY	WEEKLY
Check the function and integrity of the following components. As noted, inspect equipment before each workout. Replace all damaged, broken or worn components immediately.			
Cables:	Check tension, end fittings, and coating	✓	
	Check that locking nut at weight stack is tight		✓
Upholstery:	Wipe down and dry	✓	
	Clean and condition		✓
Frame:	Wipe down and dry	✓	
	Polish / Wax		✓
Chrome:	Wipe down and dry	✓	
	Polish / Lubricate		✓
Nuts / Bolts / Fasteners:	Tighten and / or adjust as needed		✓
Guide Rods:	Lubricate and clean		✓
Linear Rods:	Lubricate and clean		✓
Seat Sleeves:	Lubricate and clean		✓
Adjustments / Locking Pins / Tightening Knobs			✓
Weight Stack Pins			✓
Warning Instruction Labels			✓
Springs / Pop Pins		✓	
Anti Skid Surfaces			✓
Hand Grips / Rollers			✓

For Body-Solid Customer Service  
Call **1-800-556-3113**  
#MSSTKR0803

## Table of Contents

- SAFETY INSTRUCTIONS..... PAGE 4
- PREPARATION..... PAGE 5
- HARDWARE LIST..... PAGE 6
- HARDWARE ILLUSTRATION..... PAGE 8
- PART / LIST ILLUSTRATION..... PAGE 13
- ASSEMBLY INSTRUCTIONS..... PAGE 20
- EXPLODED VIEW..... PAGE 33
- CONTACT PAGE..... PAGE 34

# Important Safety Instructions

Before beginning any fitness program, you should obtain a complete physical examination from your physician.

*Il est conseillé de subir un examen médical complet avant d'entreprendre tout programme d'exercice.  
Si vous avez des étourdissements ou des faiblesses, arrêtez les exercices immédiatement.*

*Antes de comenzar cualquier programa de ejercicios, deberías tener un examen físico con su doctor.*

## **When using exercise equipment, you should always take basic precautions, including the following:**

- Read all instructions before using the **S2MP**. These instructions are written to ensure your safety and to protect the unit.
- **Do not remove any safety labels from the machine.**
- Do not allow children on or near the equipment.
- Use the equipment only for its intended purpose as described in this guide. Do not use accessory attachments that are not recommended by the manufacturer. Such attachments might cause injuries.
- Wear proper exercise clothing and shoes for your workout, no loose clothing.
- Keep hands, limbs, loose clothing, and long hair well out of the way of all moving parts.
- Use care when getting on or off the unit.
- Do not overexert yourself or work to exhaustion.
- If you feel any pain or abnormal symptoms, stop your workout immediately and consult your physician.
- Never operate unit when it has been dropped or damaged. Return the equipment to a service center for examination and repair.
- Never drop or insert objects into any opening in the equipment.
- Always check the unit and its cables before each use. Make sure that all fasteners and cables are secure and in good working condition.
- Do not use the equipment outdoors or near water.

## **Personal Safety During Assembly**

- Before beginning assembly, please take the time to read the instructions thoroughly.
- Read each step in the assembly instructions and follow the steps in sequence. Do not skip ahead. If you skip ahead, you may learn later that you have to disassemble components and that you may have damaged the equipment.
- Assemble and operate the **S2MP** on a solid, level surface. Locate the unit a few feet from the walls or furniture to provide easy access.

The **S2MP** is designed for your enjoyment. By following these precautions and using common sense, you will have many safe and pleasurable hours of healthful exercise with your Body-Solid **Multi Press Machine**.

After assembly, you should check all functions to ensure correct operation. If you experience problems, first recheck the assembly instructions to locate any possible errors made during assembly. If you are unable to correct the problem, call the dealer from whom you purchased the machine or call **1-800-556-3113** for the dealer nearest you.

## **Obtaining Service**

Please use this Owner's Manual to make sure that all parts have been included in your shipment. When ordering parts, you must use the part number and description from this Owner's Manual. Use only Body-Solid replacement parts when servicing this machine. Failure to do so will void your warranty and could result in personal injury.

For information about product operation or service, check out the official Body-Solid website at [www.bodysolid.com](http://www.bodysolid.com) or contact an authorized Body-Solid dealer or a Body-Solid factory-authorized service company or contact Body-Solid customer service at one of the following:

**Toll Free: 1-800-556-3113**  
**Phone: 1-708-427-3555**  
**Fax: 1-708-427-3556**  
**Hours: M-F 8:30-5:00 CST**  
**E-Mail: [service@bodysolid.com](mailto:service@bodysolid.com)**

**Or write to:           Body-Solid, Inc.**  
**Service Department**  
**1900 S. Des Plaines Ave.**  
**Forest Park, IL 60130 USA**

**Retain this Owner's Manual for future reference. If you need to order replacement parts please be prepared to provide the following information when contacting us so that we can assist you better.**

- 1. Model Number**
- 2. Place of Purchase**
- 3. Serial Number (S/N)**
- 4. Part # and Description**

# Preparation

Thank you for purchasing the **S2MP**. This bench is part of the Body-Solid line of quality strength training machines, which lets you target specific muscle groups to achieve better muscle tone and overall body conditioning. To maximize your use of the equipment please study this Owner's Manual thoroughly.

## Required Tools

The basic tools that you must obtain before assembling the **S2MP** include but are not limited to:

- Metric Allen Key Set
- Standard Allen Key Set
- Standard Wrench Set
- Metric Wrench Set
- Adjustable Wrench
- Screwdriver (standard and/or phillips)

## Installation Requirements

Follow these installation requirements when assembling the **S2MP**:

Set up the **S2MP** on a solid, flat surface. A smooth, flat surface under the machine helps keep it level. A level machine has fewer malfunctions.

Provide ample space around the machine. Open space around the machine allows for easier access.

Insert all bolts in the same direction. For aesthetic purposes, insert all bolts in the same direction unless specified (in text or illustrations) to do otherwise.

Leave room for adjustments. Tighten fasteners such as bolts, nuts, and screws so the unit is stable, but leave room for adjustments. Do not fully tighten fasteners until instructed in the assembly steps to do so.

**Fill out and mail the warranty card.**

## Assembly Tips

Read all "Notes" on each page before beginning each step.

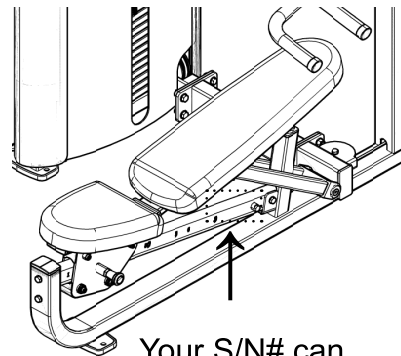
While you may be able to assemble the **S2MP** using the illustrations only, important safety notes and other tips are included in the text.

Some pieces may have extra holes that you will not use. Use only those holes indicated in the instructions and illustrations.

**NOTE:** With so many assembled parts, proper alignment and adjustment is critical. While tightening the nuts and bolts, be sure to leave room for adjustments.

**NOTE:** The bottles that are marked "Poison" is your touch up paint. Keep away from children.

**CAUTION:** Obtain assistance! If you feel like you can't assemble the **S2MP** by yourself then do not attempt to do so as this could result in injury. Review the installation requirements before proceeding with the following steps.



Your S/N# can  
be found here

Body-Solid continually seeks ways to improve the performance, specifications and product manuals in order to ensure that only superior products are released from our factories. Please take the time to carefully read through this manual thoroughly. Instructions contained in this document are not intended to cover all details or variations possible with Body-Solid equipment, or to cover every contingency that may be met in conjunction with installation, operation, maintenance or troubleshooting of the equipment. Even though we have prepared this manual with extreme care, neither the publisher nor the author can accept responsibility for any errors in, or omission from, the information given. Should additional information be required, or should situations arise that are not covered by this manual, the matter should be directed to your local Body-Solid representative, or the Service Department at Body-Solid Inc. in Forest Park, Illinois.

## S 2 M P Hardware List

<b>Part#</b>	<b>Size</b>	<b>Description</b>	<b>Quantity</b>
1	M10X25mm	FLAT HEAD CAP SCREW	8 PCS.
2	M10X30mm	HEX HEAD BOLT	6 PCS.
3	M10X35mm	HEX HEAD BOLT	1 PCS.
4	M10X45mm	HEX HEAD BOLT	1 PCS.
5	M10X50mm	HEX HEAD BOLT	8 PCS.
6	M10X60mm	HEX HEAD BOLT	1 PCS.
7	M10X65mm	HEX HEAD BOLT	2 PCS.
8	M10X75mm	HEX HEAD BOLT	1 PCS.
9	M12X125mm	HEX HEAD BOLT	1 PCS.
10	M12X35mm	HEX HEAD BOLT	8 PCS.
11	M8X25mm	SOCKET HEAD CAP SCREW	2 PCS.
12	M4X8mm	SET SCREW	1 PCS.
13	M6X6mm	SET SCREW	4 PCS.
14	M8X8mm	SET SCREW	4 PCS.
15	M6X16mm	PHILLIPS HEAD SCREW	3 PCS.
16	ø9.4X86mm	SOCKET HEAD CAP SCREW	4 PCS.
17	M8X25mm	BUTTON HEAD CAP SCREW	4 PCS.
18	3/8"X2.0"	SOCKET HEAD CAP SCREW	1 PCS.
19	10-32X1/8"	SET SCREW	16 PCS.
40	M16	FLANGE NUT	1 PCS.
41	M10	NYLON LOCK NUT	11 PCS.
42	M12	NYLON LOCK NUT	9 PCS.
43	M8	NYLON LOCK NUT	10 PCS.
44	1/2"	HEX NUT	1 PCS.
50	ø10mm	SPRING WASHER	7 PCS.
51	ø11Xø20X2mm	FLAT WASHER	31 PCS

## S 2 M P Hardware List

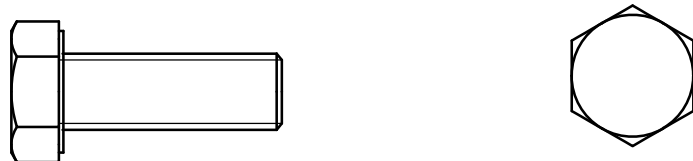
<b>Part#</b>	<b>Size</b>	<b>Description</b>	<b>Quantity</b>
52	Ø13XØ24X2.5mm	FLAT WASHER	18 PCS.
53	Ø6.6XØ12X1.6mm	FLAT WASHER	3 PCS.
54	Ø9XØ16X1.6mm	FLAT WASHER	10 PCS.
55	3/8"	SPRING WASHER	1 PCS.
56	1/2"	SPRING WASHER	1 PCS.

# S 2 M P Hardware Illustration

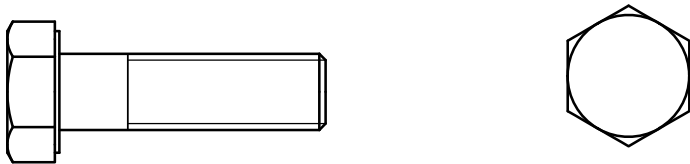
Part #1      FLAT HEAD CAP SCREW M10X25mm      QTY. 8



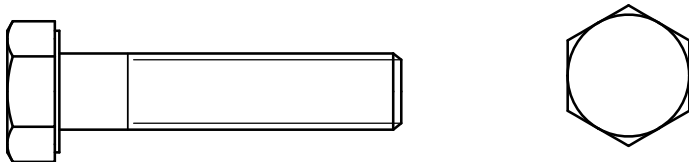
Part #2      HEX HEAD BOLT M10X30mm      QTY. 6



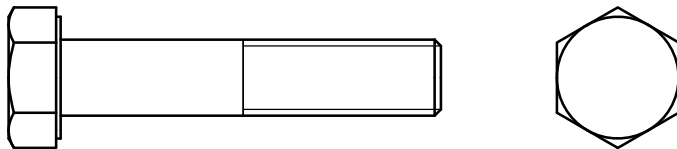
Part #3      HEX HEAD BOLT M10X35mm      QTY. 1



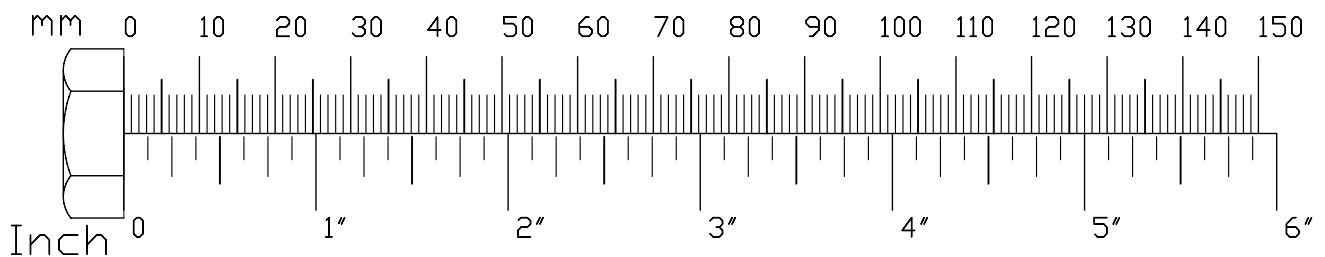
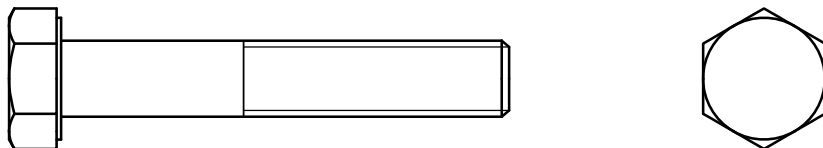
Part #4      HEX HEAD BOLT M10X45mm      QTY. 1



Part #5      HEX HEAD BOLT M10X50mm      QTY. 8



Part #6      HEX HEAD BOLT M10X60mm      QTY. 1

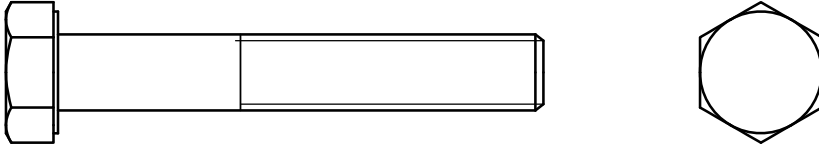


# S2MP Hardware Illustration

Part #7

HEX HEAD BOLT M10X65mm

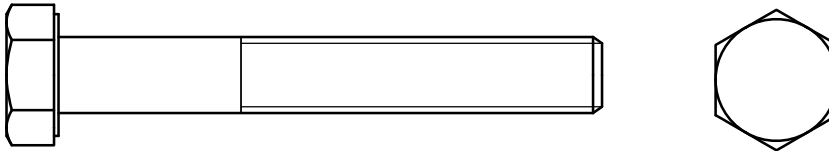
QTY. 2



Part #8

HEX HEAD BOLT M10X75mm

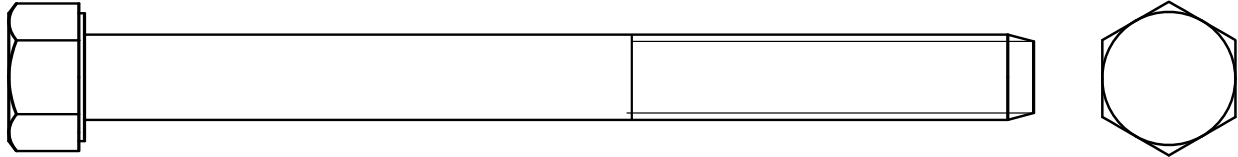
QTY. 1



Part #9

HEX HEAD BOLT M12X125mm

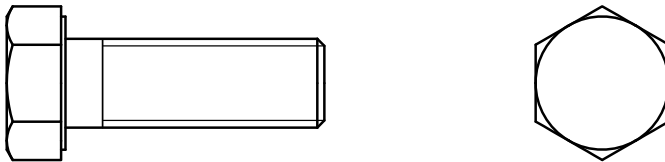
QTY. 1



Part #10

HEX HEAD BOLT M12X35mm

QTY. 8



Part #11

SOCKET HEAD CAP SCREW M8X25mm

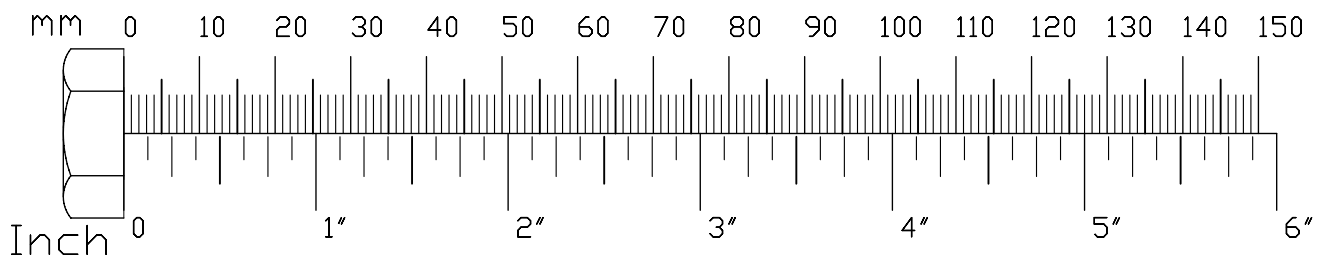
QTY. 2



Part #12

SET SCREW M4X8mm

QTY. 1



# S2MP Hardware Illustration

Part #13      SET SCREW M6X6mm      QTY. 4



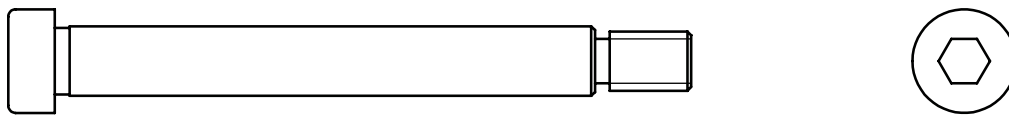
Part #14      SET SCREW M8X8mm      QTY. 4



Part #15      PHILLIPS HEAD SCREW M6X16mm      QTY. 3



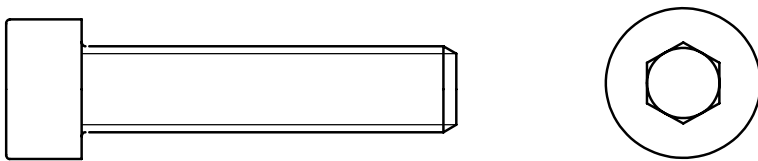
Part #16      SOCKET HEAD CAP SCREW  $\varnothing 9.4 \times 86$ mm      QTY. 4



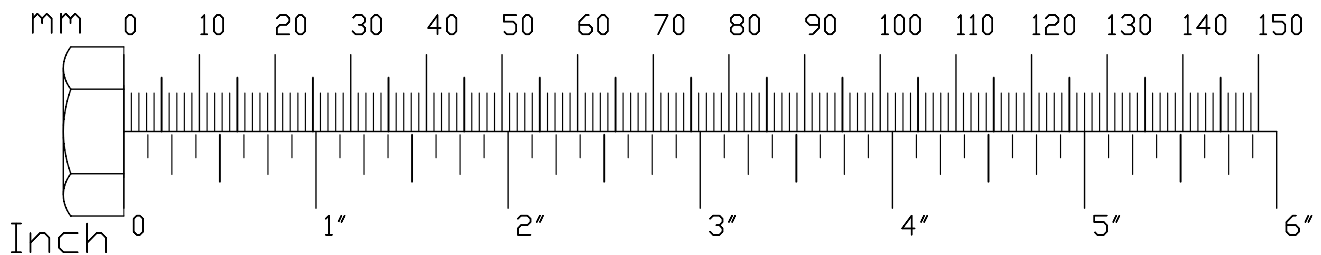
Part #17      BUTTON HEAD CAP SCREW M8X25mm      QTY. 4



Part #18      SOCKET HEAD CAP SCREW 3/8" X 2.0"      QTY. 1



Part #19      SET SCREW 10-32 X 1/8"      QTY. 16

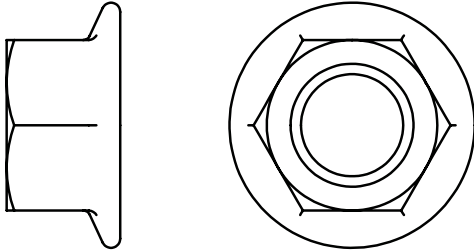


# S 2 M P Hardware Illustration

Part #40

FLANGE NUT M16

QTY. 1



Part #41

NYLON LOCK NUT M10

QTY. 11



Part #42

NYLON LOCK NUT M12

QTY. 9



Part #43

NYLON LOCK NUT M8

QTY. 10



Part #44

HEX NUT 1/2"

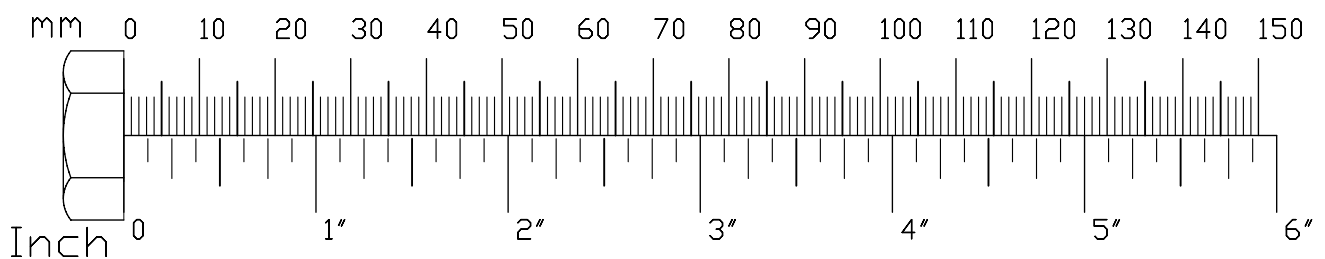
QTY. 1



Part #50

SPRING WASHER  $\varnothing$ 10mm

QTY. 7

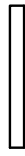
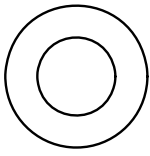


# S 2 M P Hardware Illustration

Part #51

FLAT WASHER  $\phi 11 \times \phi 20 \times 2 \text{mm}$

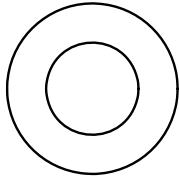
QTY. 31



Part #53

FLAT WASHER  $\phi 13 \times \phi 24 \times 2.5 \text{mm}$

QTY. 18



Part #53

FLAT WASHER  $\phi 6.6 \times \phi 12 \times 1.6 \text{mm}$

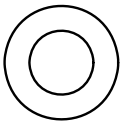
QTY. 3



Part #54

FLAT WASHER  $\phi 9 \times \phi 16 \times 1.6 \text{mm}$

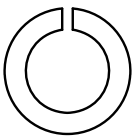
QTY. 10



Part #55

SPRING WASHER  $3/8''$

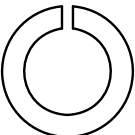
QTY. 1



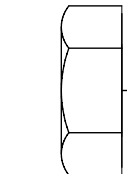
Part #56

SPRING WASHER  $1/2''$

QTY. 1



mm 0 10 20 30 40 50 60 70 80 90 100 110 120 130 140 150



Inch 0

1"

2"

3"

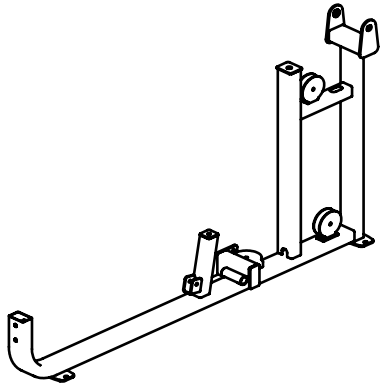
4"

5"

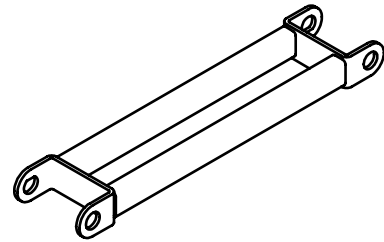
6"

# S2MP Parts List/Illustration

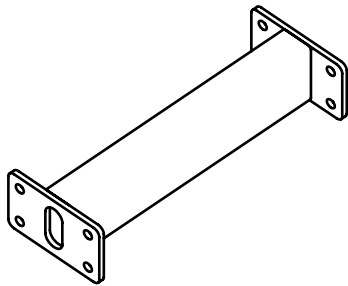
PART A -- FRAME A, 1 PCS



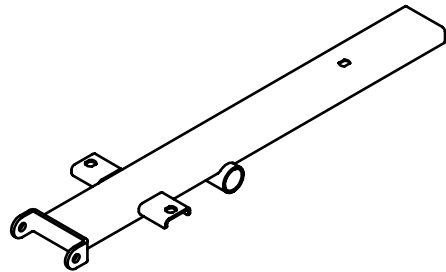
PART E -- FRAME E, 1 PCS



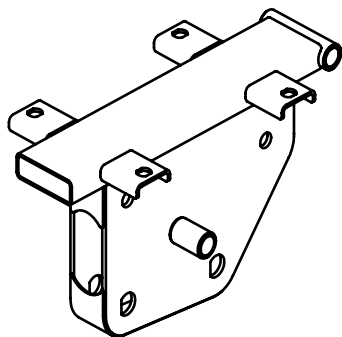
PART B -- FRAME B, 1 PCS



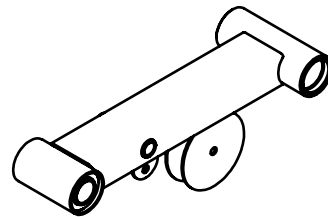
PART F -- FRAME F, 1 PCS



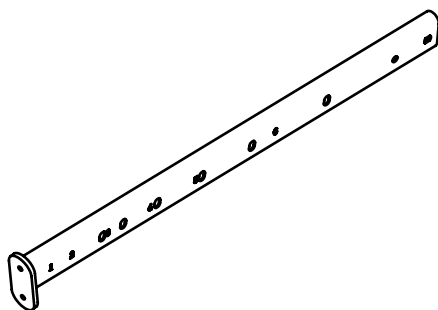
PART C -- FRAME C, 1 PCS



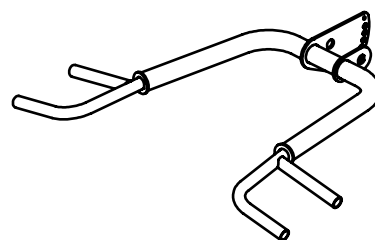
PART G -- FRAME G, 1 PCS



PART D -- FRAME D, 1 PCS

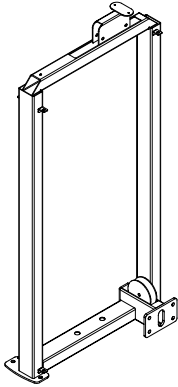


PART H -- FRAME H, 1 PCS

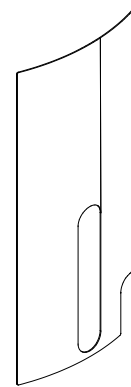


# S 2 M P Parts List/illustration

PART WA -- **WEIGHT STACK FRAME**, 1 PCS



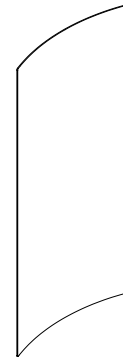
PART WE -- **FRONT SHROUD**, 1 PCS



PART WB -- **SHORT METAL SHROUD**, 1 PCS



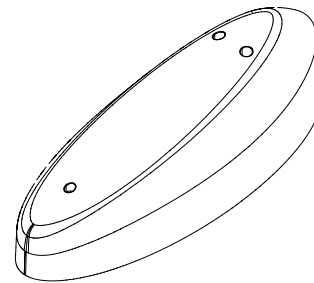
PART WF -- **BACK SHROUD**, 1 PCS



PART WC -- **LONG METAL SHROUD**, 1 PCS



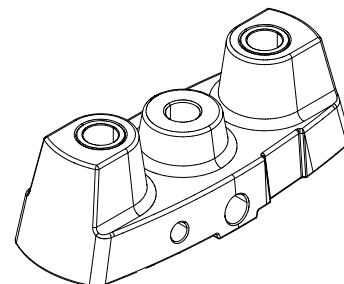
PART WG -- **TOP SHROUD**, 1 PCS



PART WD -- **CHROME GUIDE ROD**, 2 PCS  
Ø19X1229mm

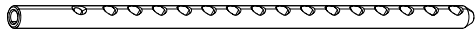


PART #60 -- **TOP PLATE**, 1 PCS



# S 2 M P Parts List/illustration

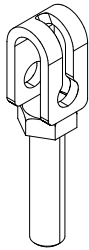
PART #61 -- **SELECTOR ROD**, 1 PCS



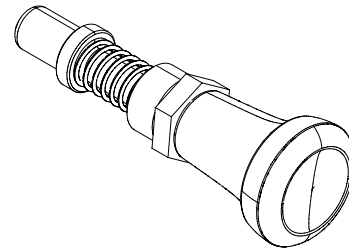
PART #65 -- **BACK PAD**, 1 PCS



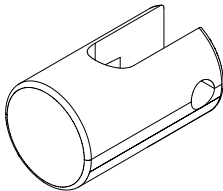
PART #62 -- **SELECTOR ROD TOP BOLT**,  
1 PCS



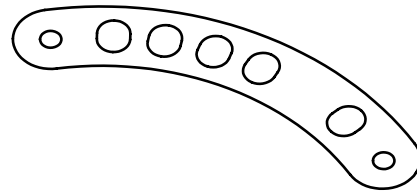
PART #66 -- **SHORT POP PIN**, 1 PCS



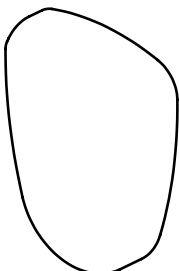
PART #63 -- **CYLINDER CABLE LOCK**, 1 PCS



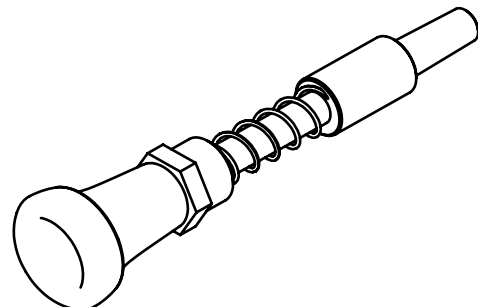
PART #67 -- **SELECTOR PLATE**, 1 PCS



PART #64 -- **SEAT PAD**, 1 PCS

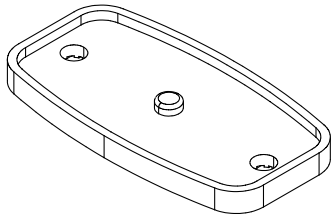


PART #68 -- **LONG POP PIN**, 1 PCS

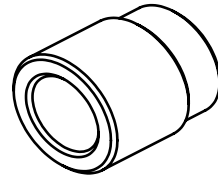


# S 2 M P Parts List/illustration

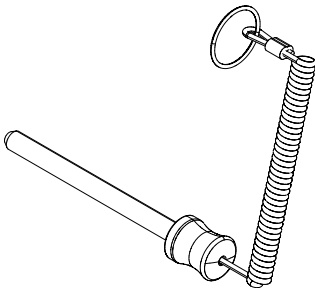
PART #69 -- FOOT PAD, 4 PCS



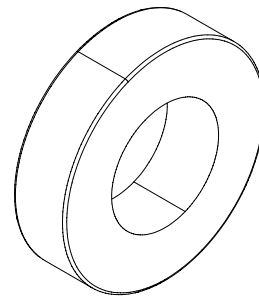
PART #73 -- BUSHING, 4 PCS  
Ø16X18mm



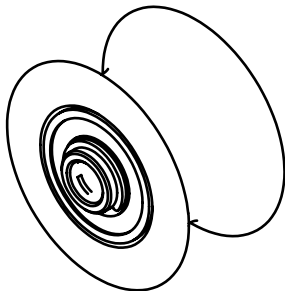
PART #70 -- SELECTOR PIN, 1 PCS



PART #74 -- BEARING, 2 PCS



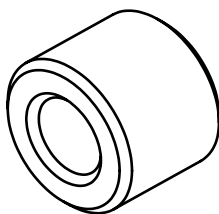
PART #71 -- WHEEL, 4 PCS



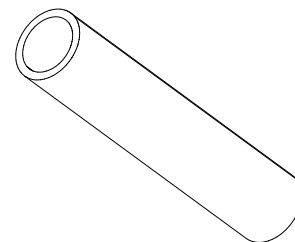
PART #75 -- BUSHING, 1 PCS



PART #72 -- NYLON BUSHING, 2 PCS  
Ø20X16mm

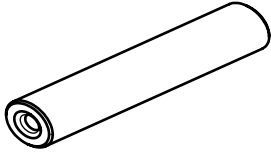


PART #76 -- LONG HANDLE SLEEVE, 2 PCS

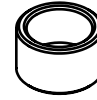


## S 2 M P Parts List/illustration

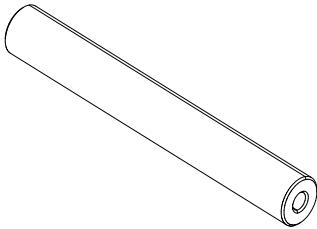
PART #77 -- **SHAFT PIN**, 3 PCS  
Ø25X120mm



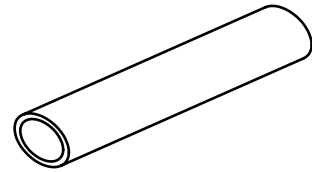
PART #81 -- **NYLON BUSHING**, 2 PCS  
Ø17X10.5mm



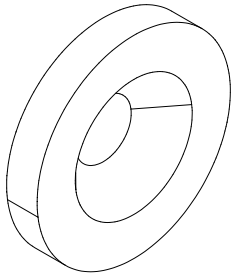
PART #78 -- **SHAFT PIN**, 1 PCS  
Ø25X178mm



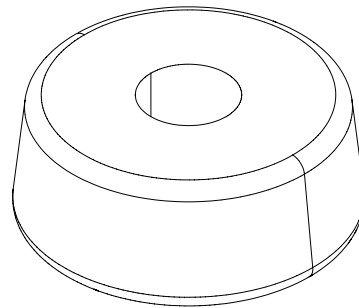
PART #82 -- **SHORT HANDLE SLEEVE**, 2 PCS



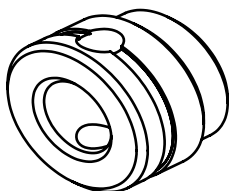
PART #79 -- **END CAP**, 8 PCS



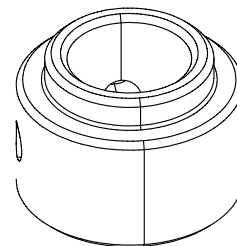
PART #83 -- **RUBBER DONUT**, 2 PCS



PART #80 -- **BUSHING**, 4 PCS  
Ø25X18mm

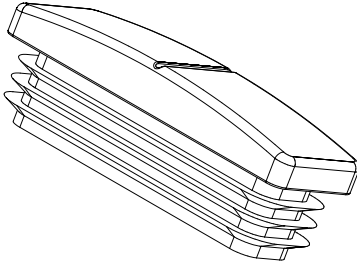


PART #84 -- **SHAFT COLLAR**, 2 PCS

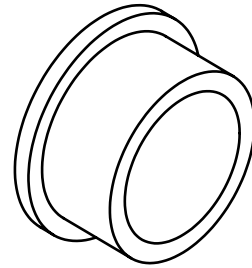


# S 2 M P Parts List/ Illustration

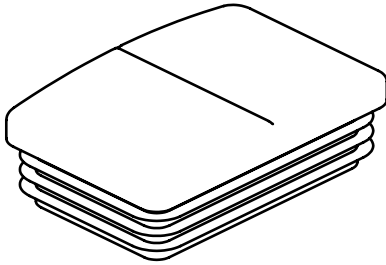
PART #85 -- **END CAP, 2 PCS**  
**25X76mm**



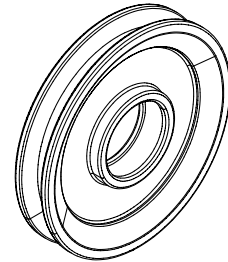
PART #81 -- **BUSHING, 6 PCS**  
**Ø38X18mm**



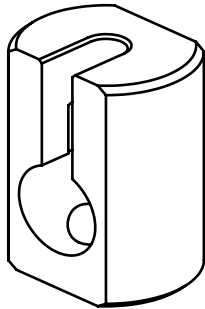
PART #86 -- **END CAP, 1 PCS**  
**50X76mm**



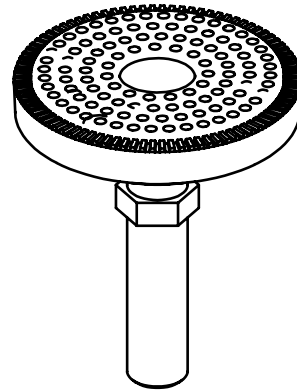
PART #90 -- **4.5" PULLEY, 6 PCS**



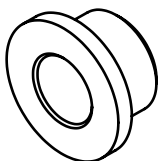
PART #87 -- **CABLE CONNECTOR, 1 PCS**



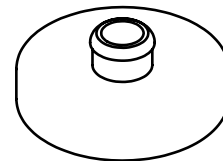
PART #91 -- **ADJUSTMENT PAD, 1 PCS**



PART #88 -- **BUSHING, 2 PCS**  
**Ø25X13mm**

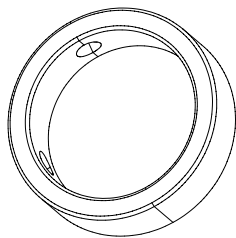


PART #92 -- **ROUND RUBBER PAD, 1 PCS**

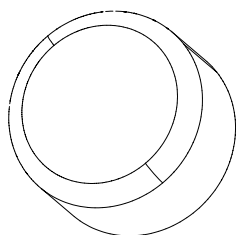


## S 2 M P Parts List / Illustration

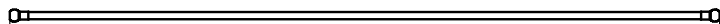
PART #93 -- **HANDLE RING**, 4 PCS



PART #94 -- **HANDLE END CAP**, 4 PCS ;



PART #102 -- **CABLE**, 1 PCS  
4730mm



**STEP****1**

**Be careful to assemble all components in the sequence they are presented.**

**NOTE:**

**Finger tighten all hardware in this step. DO NOT wrench tighten unless instructed. Some components may be pre-assembled. Nylon lock nuts will not fully screw onto bolts, they must be wrench tighten to fully go on.**

**1A. Attach Frame B (B) to Frame A (A) using:**

**4 - (#10) M12X35mm Hex Head Bolt**

**8 - (#52) 13X24mm Flat Washer**

**4 - (#42) M12 Nylon Lock Nut**

**1B. Attach Frame H (H) to Frame G (G) using:**

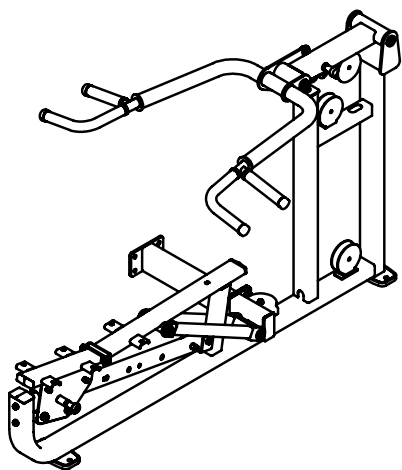
**2 - (#1) M10X25mm Flat Head Cap Screw**

**1 - (#77) 25mmX120mm Shaft Pin**

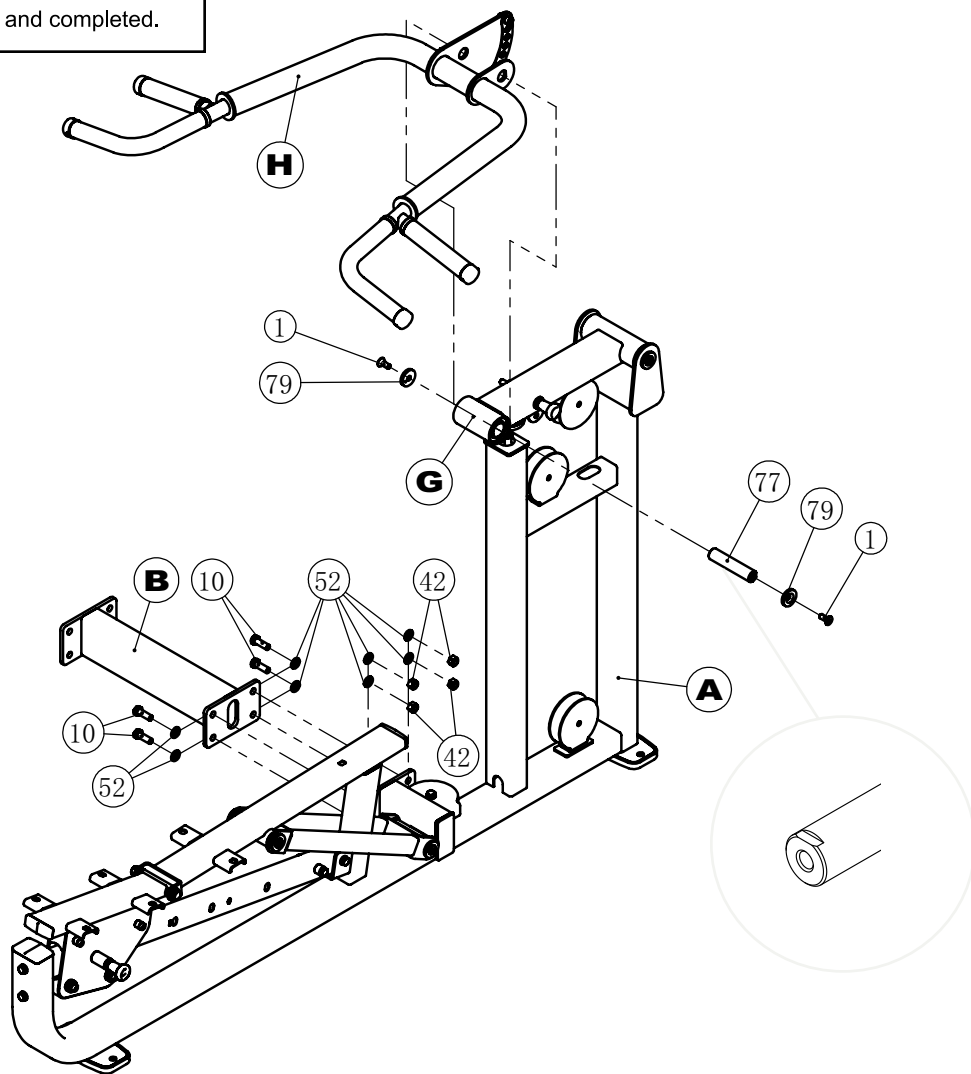
**2 - (#79) 38mm End Cap**

**Note: 1) Please make sure the key slot of the Shaft Pin is aligned with the key slot hole of Frame G.**

**2) You may need to use a mallet when inserting the Shaft Pin.**



Above shows Step 1 assembled and completed.



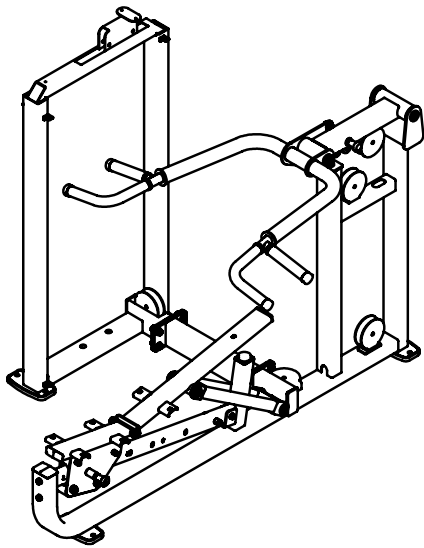
**STEP****2**

**Be careful to assemble all components in the sequence they are presented.**

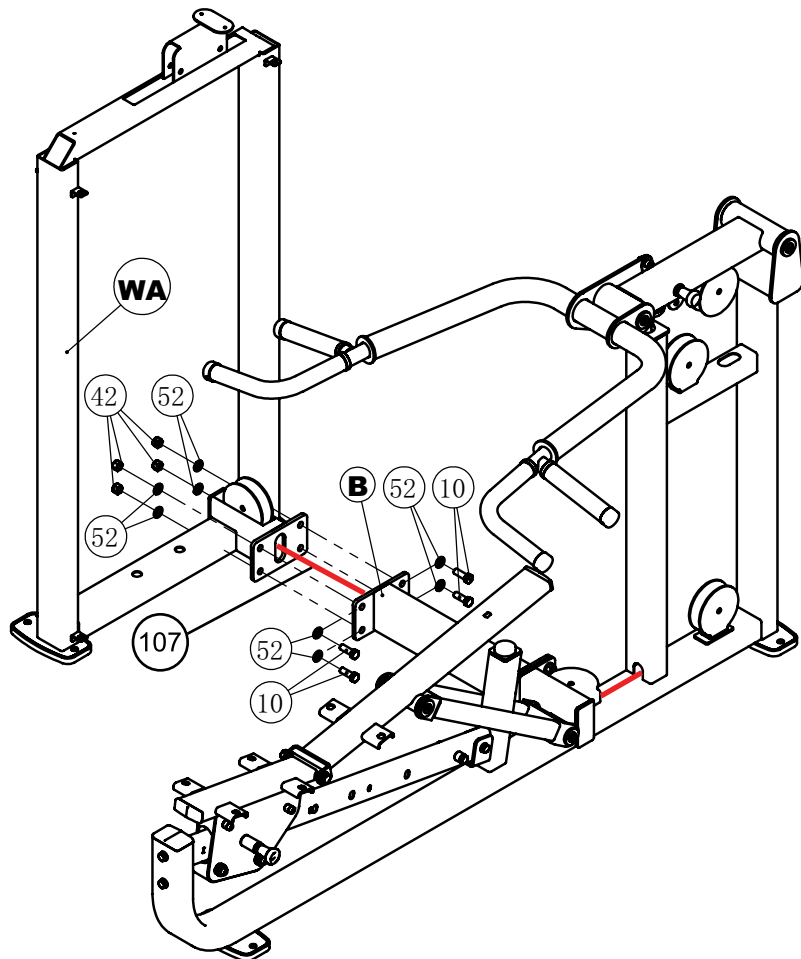
**NOTE:**

Finger tighten all hardware first in this step. Wrench tighten ALL hardware at the end of **STEP 2A**. Some components may be pre-assembled. Nylon lock nuts will not fully screw onto bolts, they must be wrench tighten to fully go on.

- 2A.** Route Cable (**#107**) through Frame **C (C)** and Weight Stack Frame (**WA**) as shown in Step 2 drawing before connect the frames together.
- 2B.** Attach Frame B (**B**) to Weight Stack Frame (**WA**) using:
- 4 - (#10) M12X35mm Hex Head Bolt**
  - 8 - (#52) M13X24mm Flat Washer**
  - 4 - (#42) M12 Nylon Lock Nut**



Above shows Step 2 assembled and completed.



**STEP****3**

**Be careful to assemble all components in the sequence they are presented.**

**NOTE:**

Finger tighten all hardware first in this step. Wrench tighten ALL hardware at the end of **STEP 3I**. Some components may be pre-assembled. Nylon lock nuts will not fully screw onto bolts, they must be wrench tighten to fully go on.

**3A.** Install Chrome Guide Rods (**WD**) into the holes in the Weight Stack Frame (**WA**).

**Note:** Install the rod ends with side holes into the bottom section of the Weight Stack Frame

**3B.** Install Rubber Donuts (**#83**) and slide to the bottom of the Guide Rods

**3C.** Tilt Guide Rods (**WD**) away from the Weight Stack Frame (**WA**) and install 20pcs of weight plates (**#105**). Be careful to hold guide rods steadily when installing weight plates.

**Note:** Please make sure the grooves of the weight plates are faced down during installation.

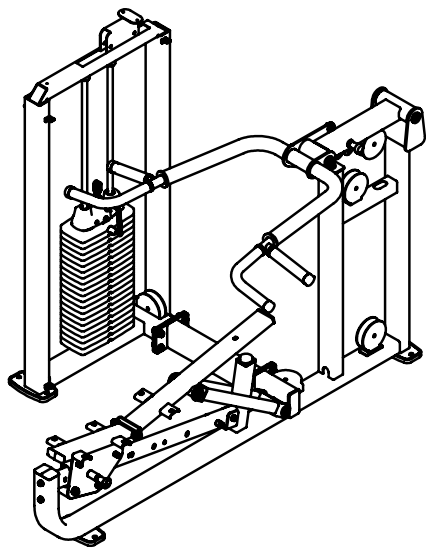
**3D.** Install Top Plate & Selector Rod Assembly (**#18, #55, #60, #61**) onto the Guide Rods .

**3E.** Install the Selector Rod Top Bolt (**#62**), the 1/2" Lock Nut (**#44**) and the 1/2" Spring Washer (**#56**) onto the Top Plate (**#**).

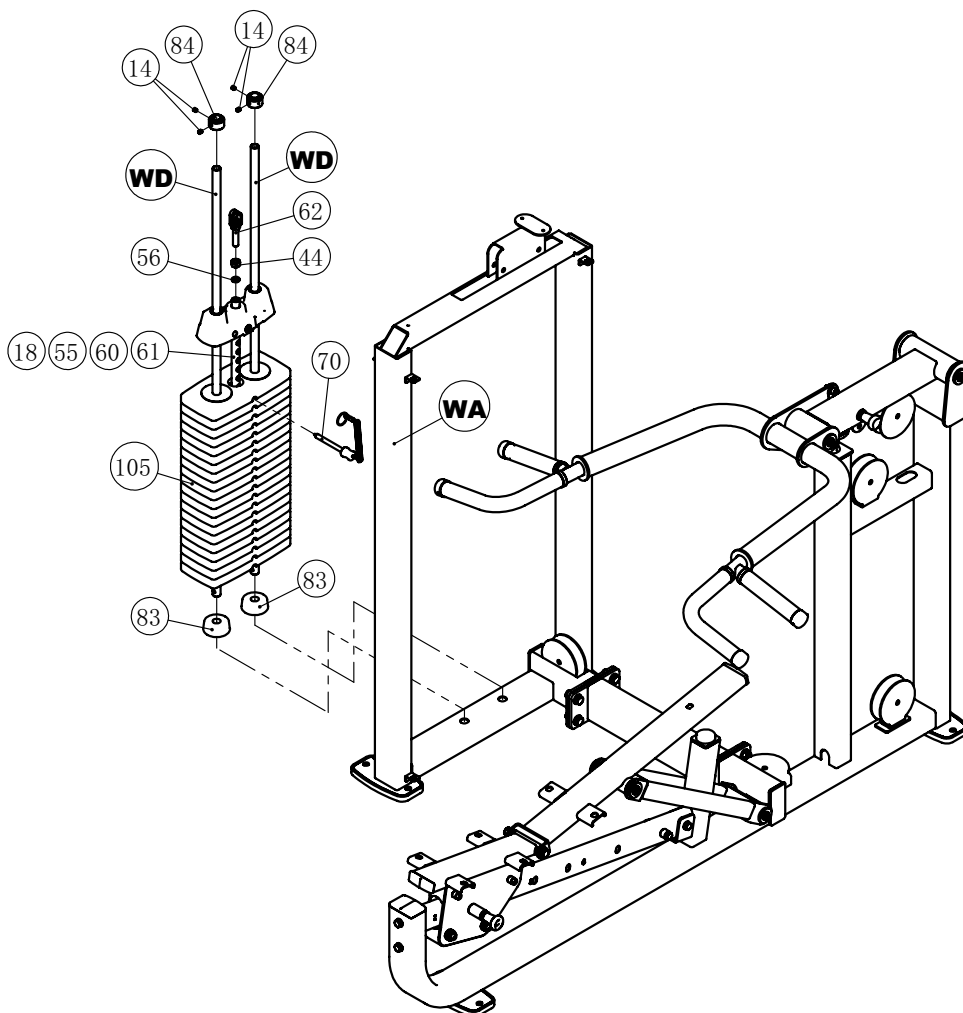
**3F.** Install Shaft Collars (**#84**) onto the Guide Rods so they are directly below the guide rod holes in the upper section of the Weight Stack Frame.

**3G.** Slide Shaft Collars (**#84**) upward so they lock the guide rods into position by tightening the Set Screws (**#14**)

**3I.** Install Weight Stack Pin (**#70**) using the key ring end through the Selector Rod Top Bolt (**#62**).



Above shows Step 3 assembled and completed.



**STEP****4**

**Be careful to assemble all components in the sequence they are presented.**

**NOTE:**

Finger tighten all hardware first in this step. Wrench tighten ALL hardware at the end of **STEP 4E**. Some components may be pre-assembled. Nylon lock nuts will not fully screw onto bolts, they must be wrench tighten to fully go on.

- 4A.** Install Cable (**#102**) by first assembling the ball end into the Selector Rod Top Bolt (**#62**) and attaching the Cable Cylinder Lock (**#63**) over the ball end of the cable. Secure it by tighten in the Set Screw (**#12**)
  
- 4B.** Install the M10X35mm Hex Head Bolt (**#3**) through the slot hole of the Selector Rod Top Bolt (**#62**) by fastening the M10 Nylon Lock Nut (**#41**).
  
- 4C.** Route Cable (**#102**) while installing seven Pulleys (**#90**) into frames as shown in Step 5 Drawing using
  - 7 - (**#5**) M10X50mm Hex Head Bolt
  - 14 - (**#51**) 11X20mm Flat Washer
  - 7 - (**#41**) M10 Nylon Lock Nut
  
- 4D.** Attach Cable (**#102**) to Cable Connector (**#87**).
  
- 4E.** Attach Cable Connector (**#87**) to Frame G (**G**) using:
  - 1 - (**#4**) M10X45mm Hex Head Bolt
  - 2 - (**#51**) M10 Flat Washer
  - 1 - (**#41**) M10 Nylon Lock Nut
  - 1 - (**#75**) Sleeve (Shrink Wrapped with #87)



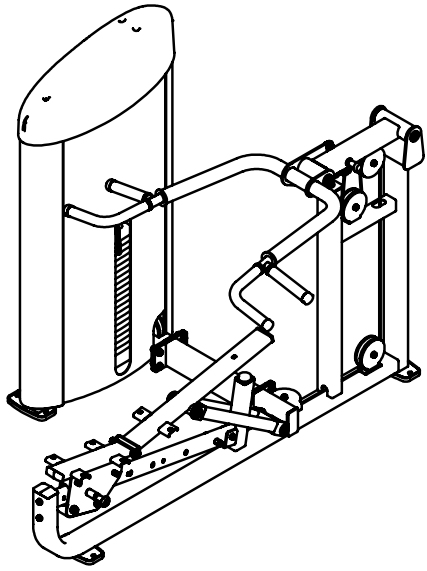
**STEP****5**

**Be careful to assemble all components in the sequence they are presented.**

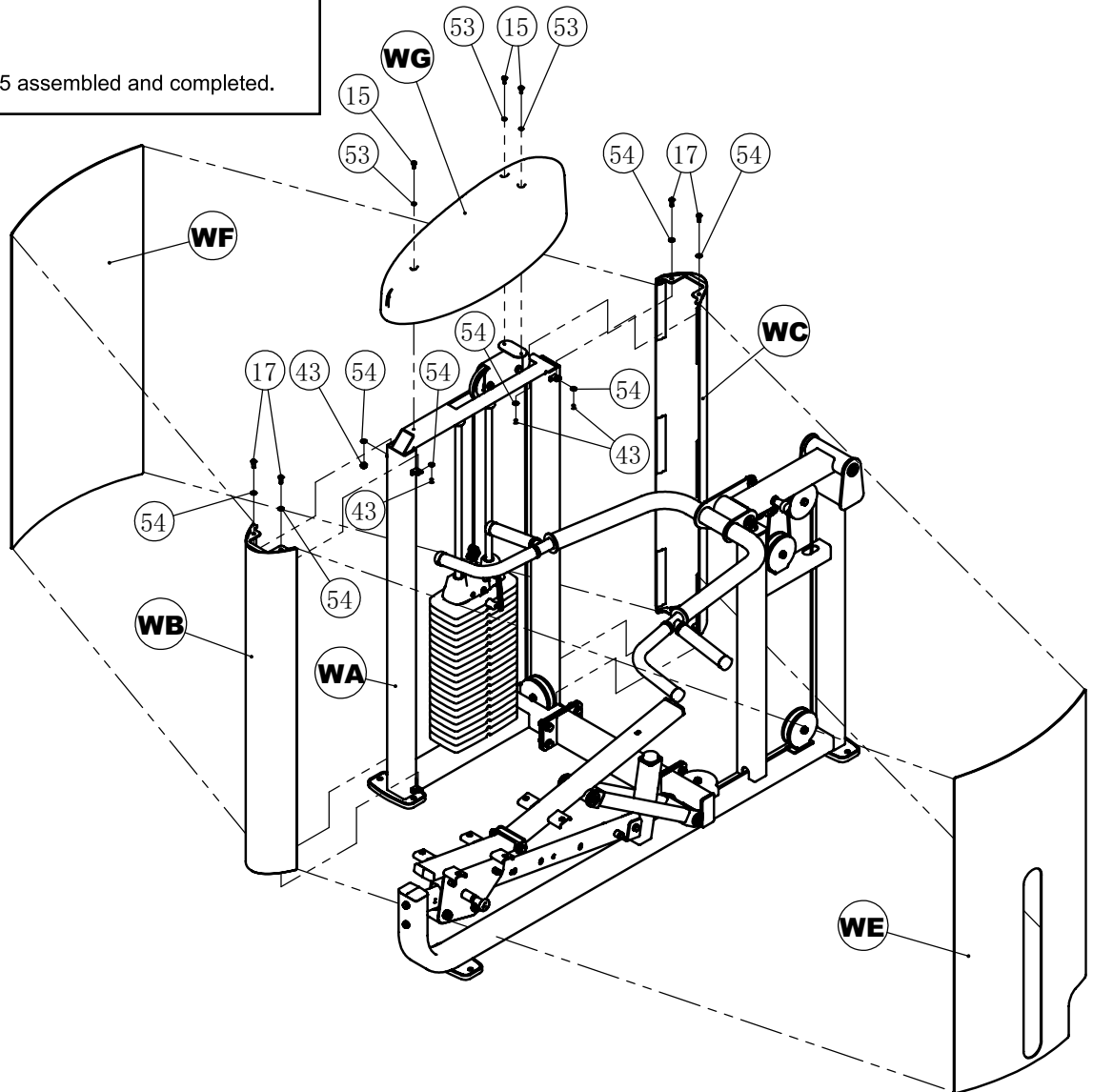
**NOTE:**

**Wrench tighten ALL hardware at the end of Each Step. Some components may be pre-assembled. Nylon lock nuts will not fully screw onto bolts, they must be wrench tighten to fully go on.**

- 5A.** Attach Short Metal Shrouds (**WB**) and Long Metal Shrouds (**WC**) to Weight Stack Frame (**WA**) using:
- 4 - (#17) M8X25mm Button Head Cap Screw**
  - 8 - (#54) 9X16mm Flat Washer**
  - 4 - (#43) M8 Nylon Lock Nut**
- 5B.** Bend the Plastic Shrouds (**WE & WF**) and insert them to the side slots of the Metal Shrouds (**WB & WC**).
- 5C.** Attach Top Shroud (**WG**) to Weight Stack Frame (**WA**) using:
- 3 - (#15) M6X16mm Phillips Head Screw**
  - 3 - (#53) 6.6X12mm Flat Washer**



Above shows Step 5 assembled and completed.



**STEP****6**

**Be careful to assemble all components in the sequence they are presented.**

**NOTE:**

Finger tighten all hardware first in this step. Wrench tighten ALL hardware at the end of **STEP 6B**. Some components may be pre-assembled. Nylon lock nuts will not fully screw onto bolts, they must be wrench tighten to fully go on.

**6A.** Attach Seat Pad (**#64**) to Seat Frame (**C**) using:

4 - (**#2**) M10x30mm Hex Head Bolt

4 - (**#50**) 10mm Spring Washer

4 - (**#51**) 11X20mm Flat Washer

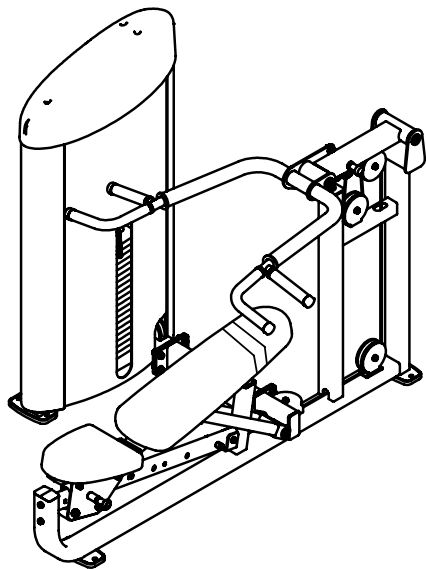
**6B.** Attach Back Seat Pad (**#65**) to Back Seat Frame (**F**) using:

2 - (**#2**) M10x30mm Hex Head Bolt

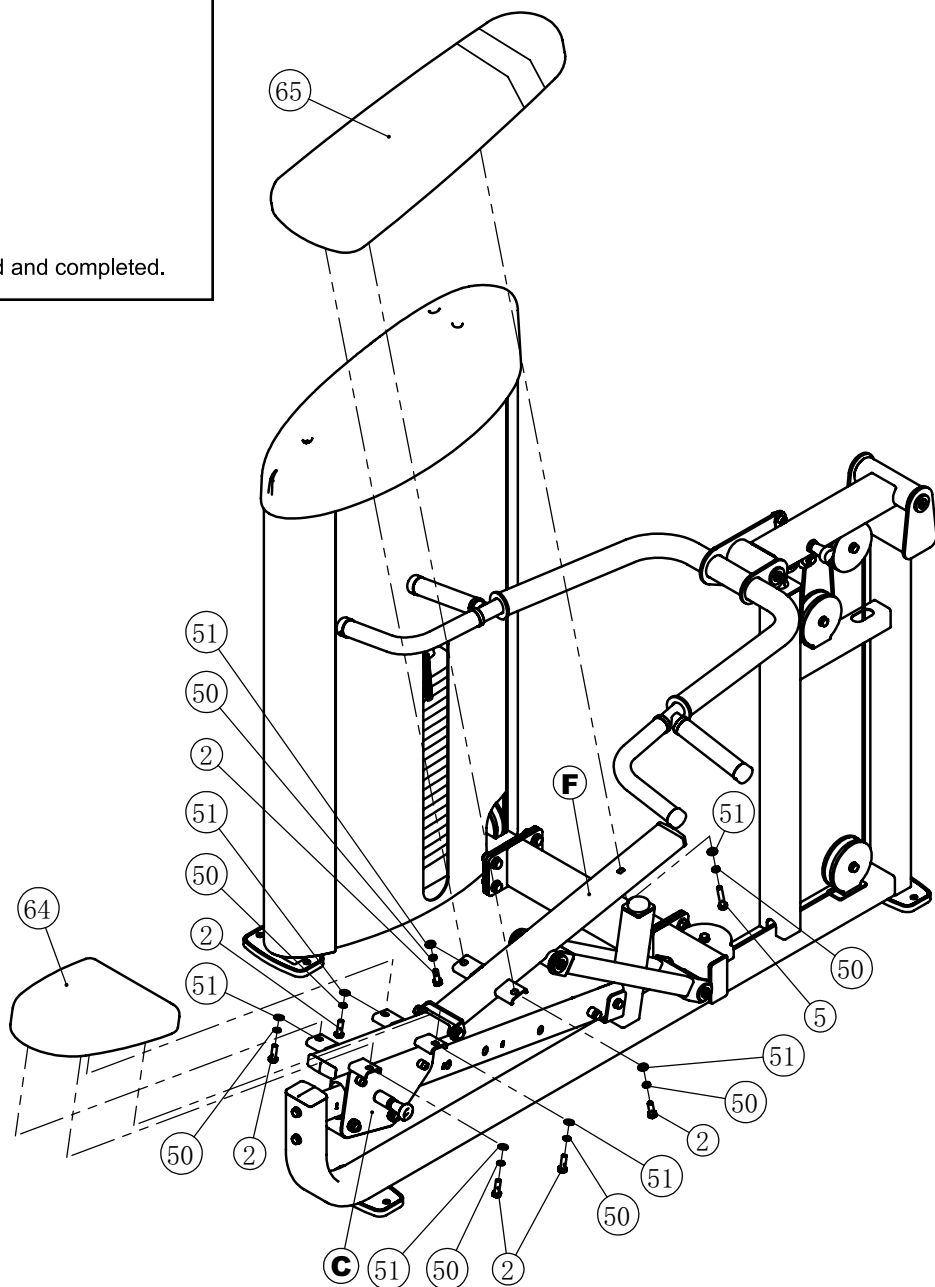
1 - (**#5**) M10x50mm Hex Head Bolt

3 - (**#50**) 10mm Spring Washer

3 - (**#51**) 11X20mm Flat Washer



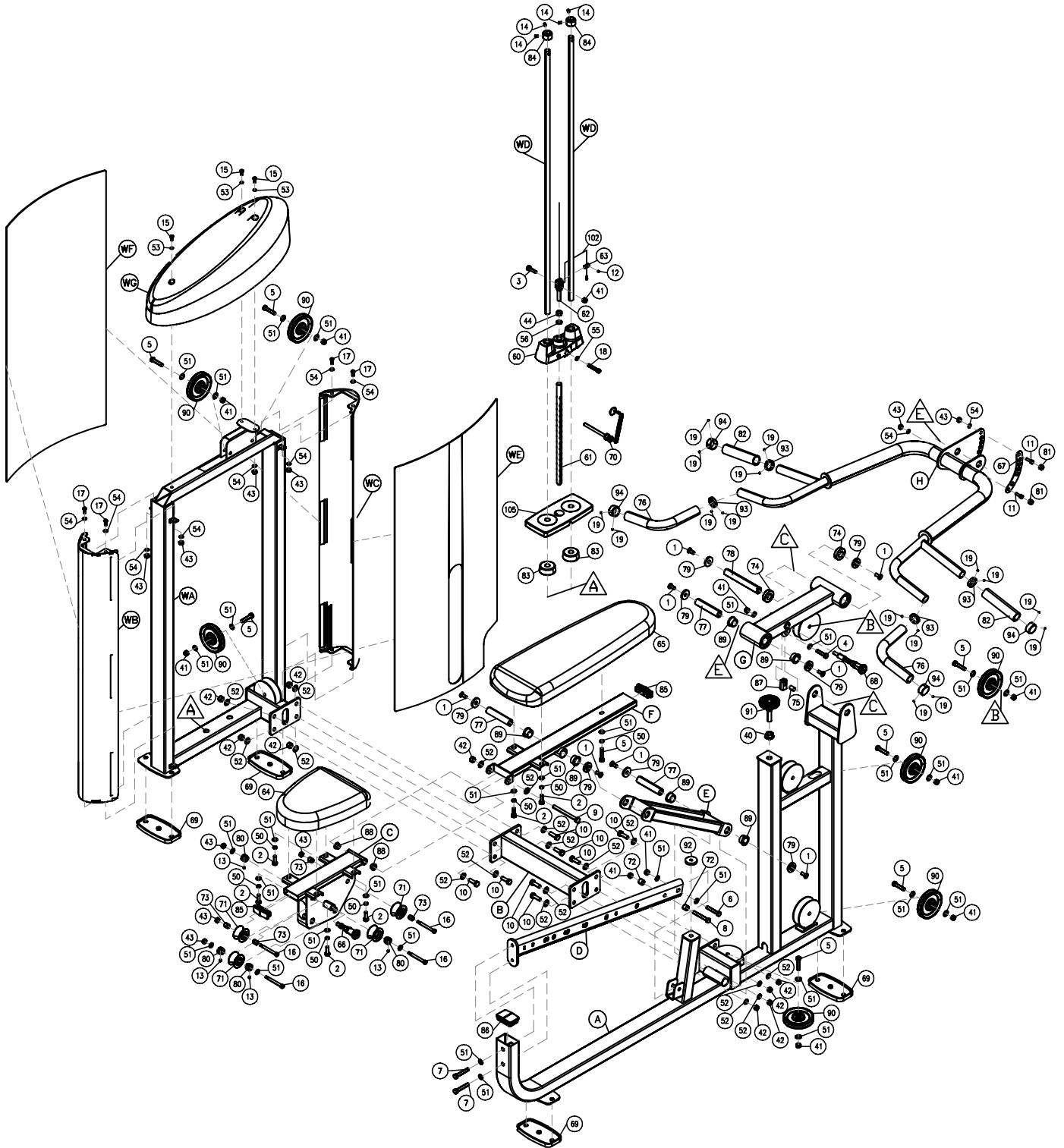
Above shows Step 6 assembled and completed.



## PCL Badge Location



# S2MP Exploded View



**Body-Solid**<sup>®</sup>  
Built for Life

**S2MP**

PLEASE WRITE YOUR SERIAL NUMBER IN THE BOXES BELOW

S/N # 008175-□□-□□-□□□□-□□□□

1900 S. Des Plaines Ave.  
Forest Park, IL 60130  
Phone:(708)427-3555  
Fax:(708)427-3556  
Hours: M-F 8:30 - 5:00 CST

*www.bodysolid.com*

Copyright 2009. Body-Solid. All rights reserved. Body-Solid reserves the right to change design and specifications when we feel it will improve the product. Body-Solid machines maintain several patented and patent pending features and designs. All rights reserved on all design patents and utility patents.