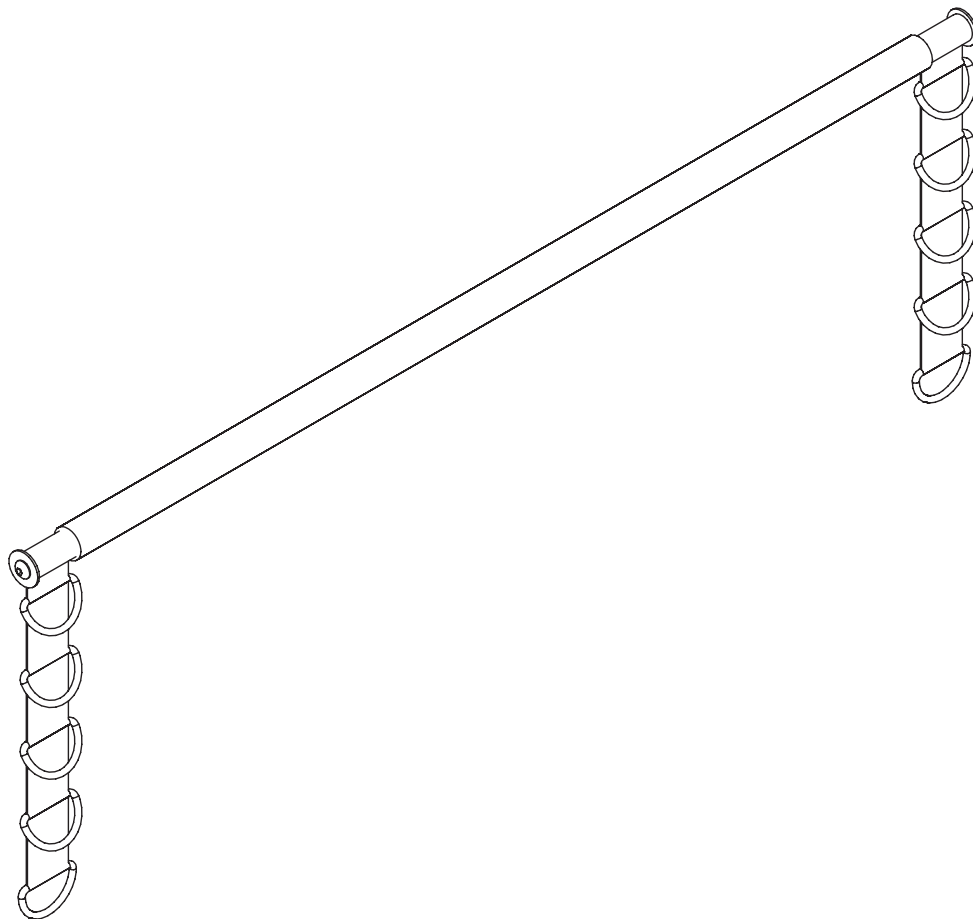


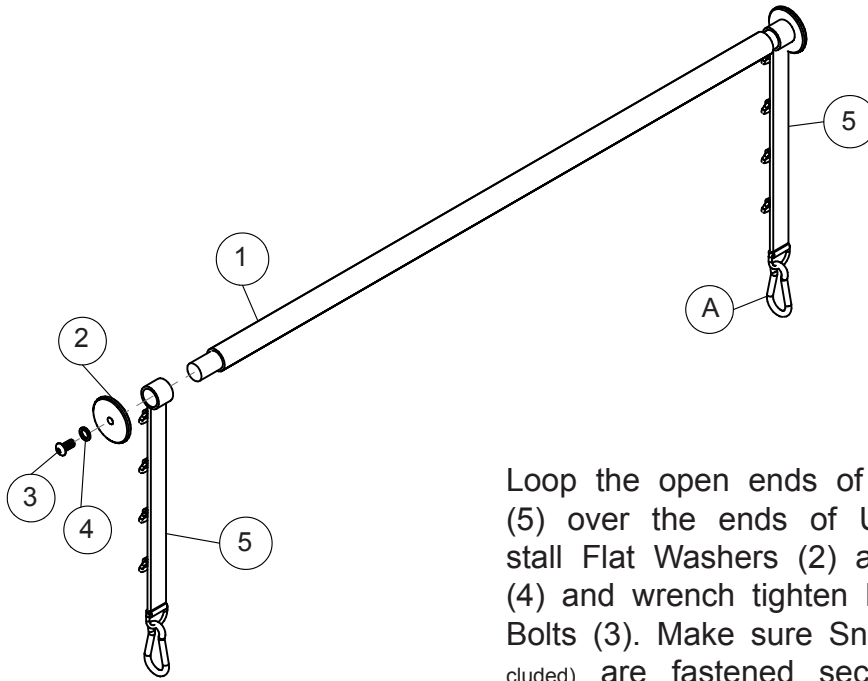
Body-Solid®

Built for Life



Assembly Instructions
OWNER'S & MANUAL

G D C C B A R



Loop the open ends of Utility Bar Straps (5) over the ends of Utility Bar (1). Install Flat Washers (2) and Lock Washers (4) and wrench tighten Round Allen Head Bolts (3). Make sure Snap Links (A) (not included) are fastened securely before use.

Hardware List

Part#	Qty	Description
1	1	Utility Bar
2	2	M13x36 Flat Washer
3	2	M10x20 Round Allen Head
4	2	M10 Lock Washer
5	2	Utility Bar Straps