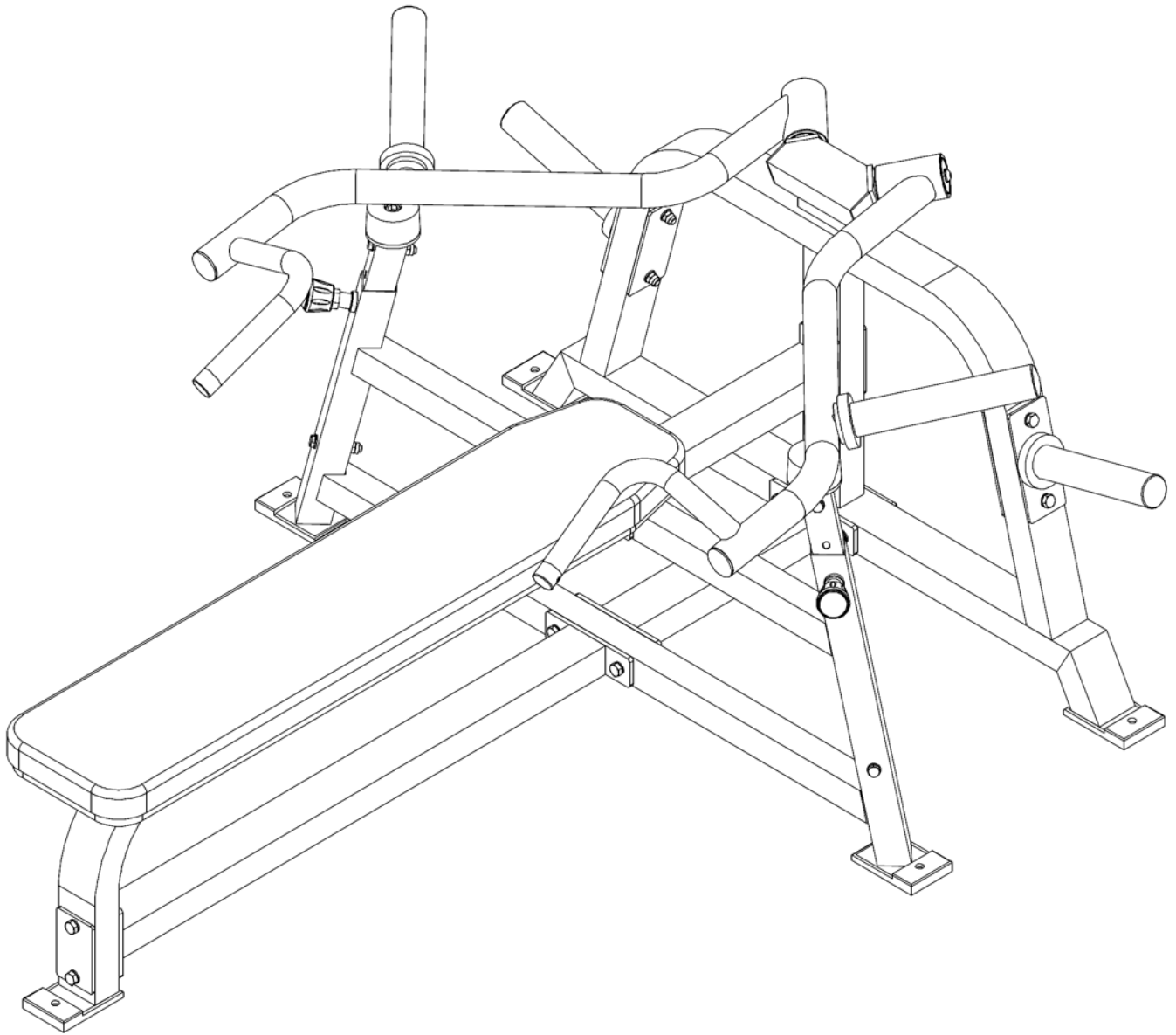


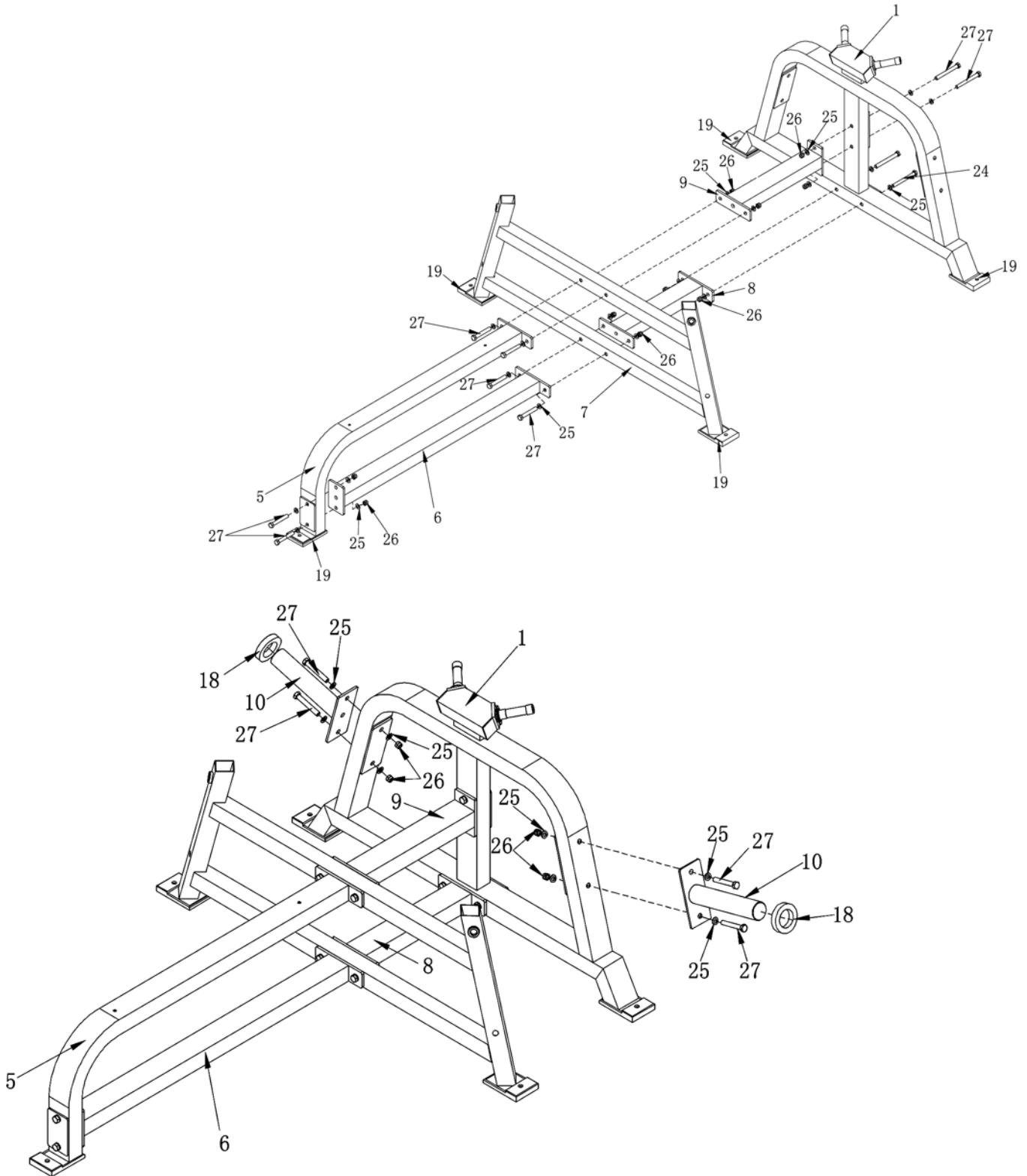
LVBP



Body-Solid

LVBP

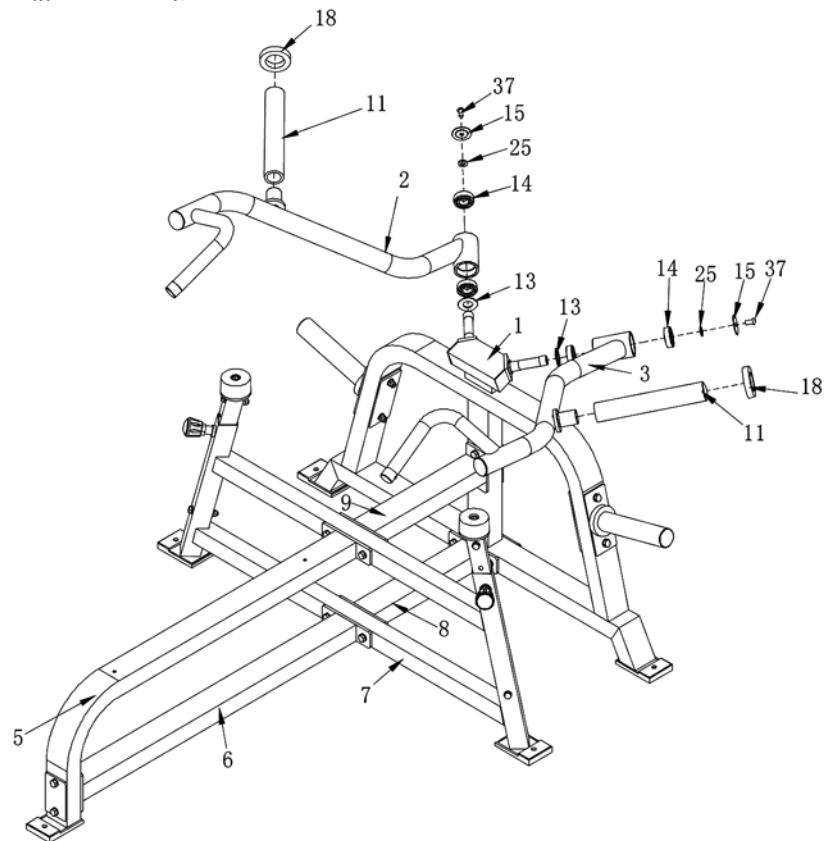
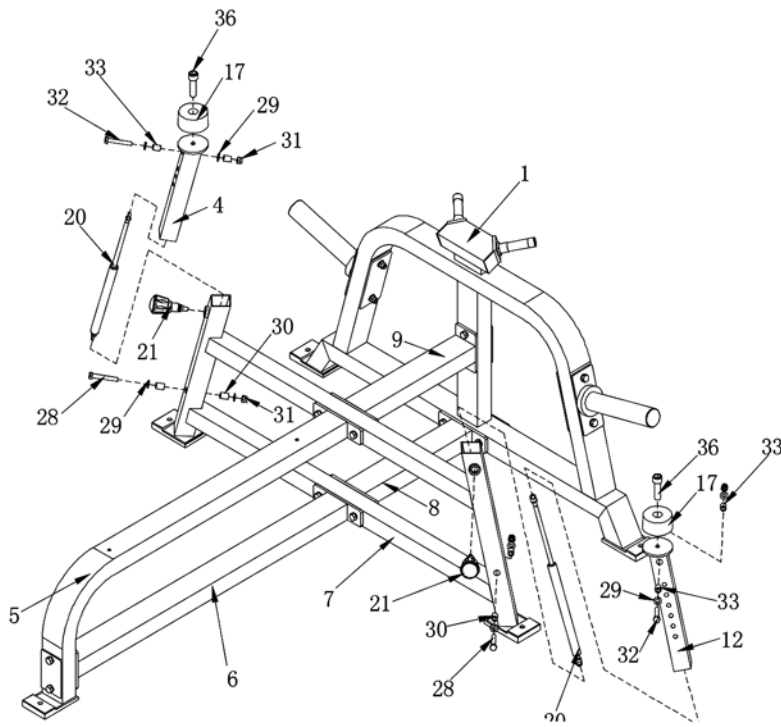
ASSEMBLY INSTRUCTIONS



Body - Solid

LVBP

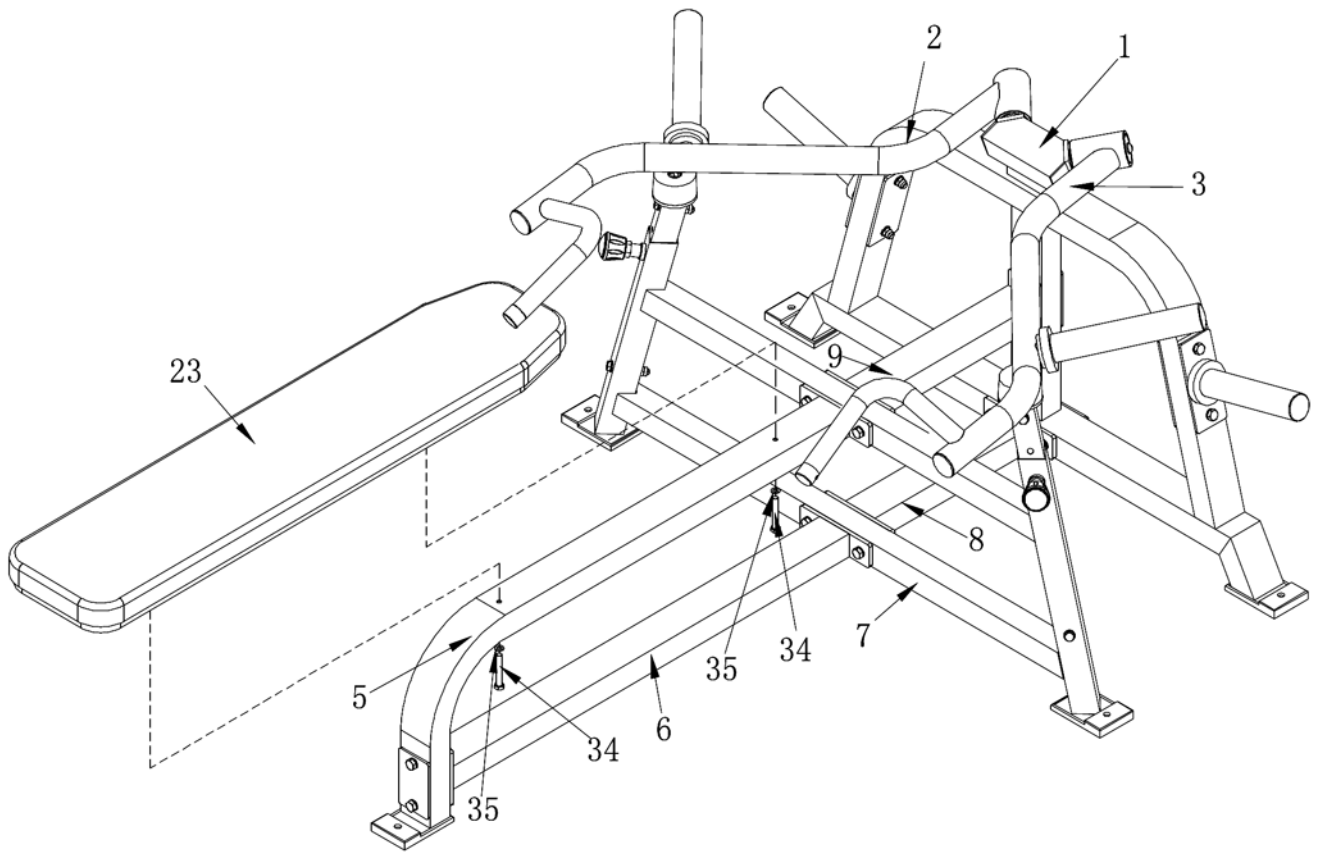
ASSEMBLY INSTRUCTIONS



Body-Solid

LVBP

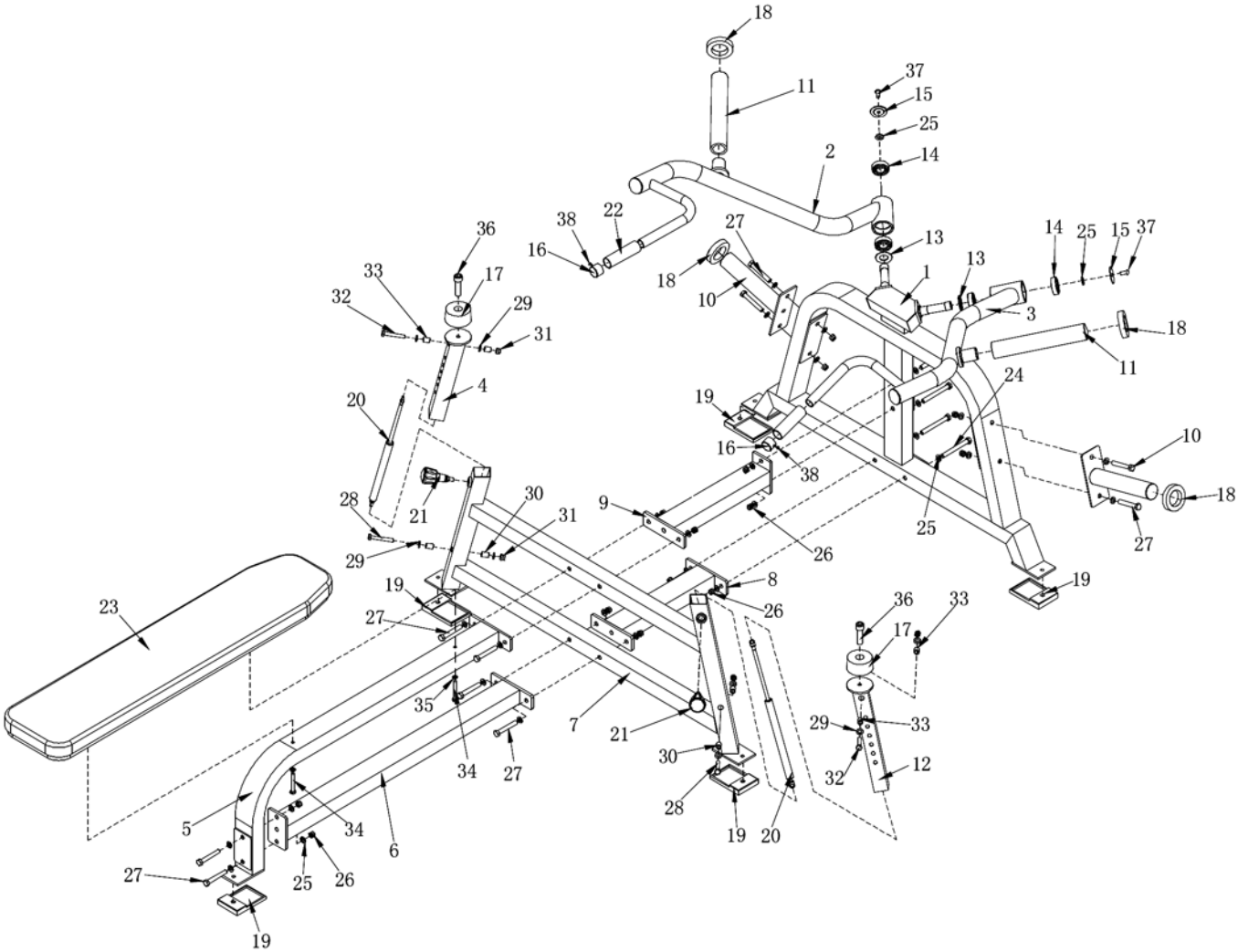
ASSEMBLY INSTRUCTIONS



Body-Solid

LVBP

EXPLODED VIEW



Body-Solid

LVBP Hardware List

No .	Description	Qty	No .	Description	Qty
1	Main Frame	1	20	*21*515 Shock	2
2	Left Pushing Arm	1	21	*10*90 Pop Pin	2
3	Right Pushing Arm	1	22	Foam Grip	2
4	Left Adjustable Tube	1	23	Pad	1
5	Support Tube	1	24	M12*110 Hex Bolt	2
6	Low Tube	1	25	*12 Washer	30
7	Middle Support Tube	1	26	M12 Nylon Nut	14
8	Connecting Tube	1	27	M12*85 Hex Bolt	12
9	Connecting Frame	1	28	M10*70 Hex Bolt	2
10	Loading Bar A	2	29	*10 Washer	8
11	Loading Bar B	2	30	*15*22 Tube	4
12	Right Ajustable Tube	1	31	M10 Nylon Nut	4
13	Washer for bearing	2	32	M10*65 Hex Bolt	2
14	Shaft	4	33	15*19.5 Tube	4
15	Washer for bearing	2	34	M8*80 Hex Bolt	2
16	End Cap	2	35	*8 Washer	2
17	*80**76*40 Rubber Stopper	2	36	M12*30 Screw	2
18	*80**50*16 Rubber Stoper	4	37	M10*20 Screw	2
19	125*85 End Cap	5	38	M4*8 Screw	2