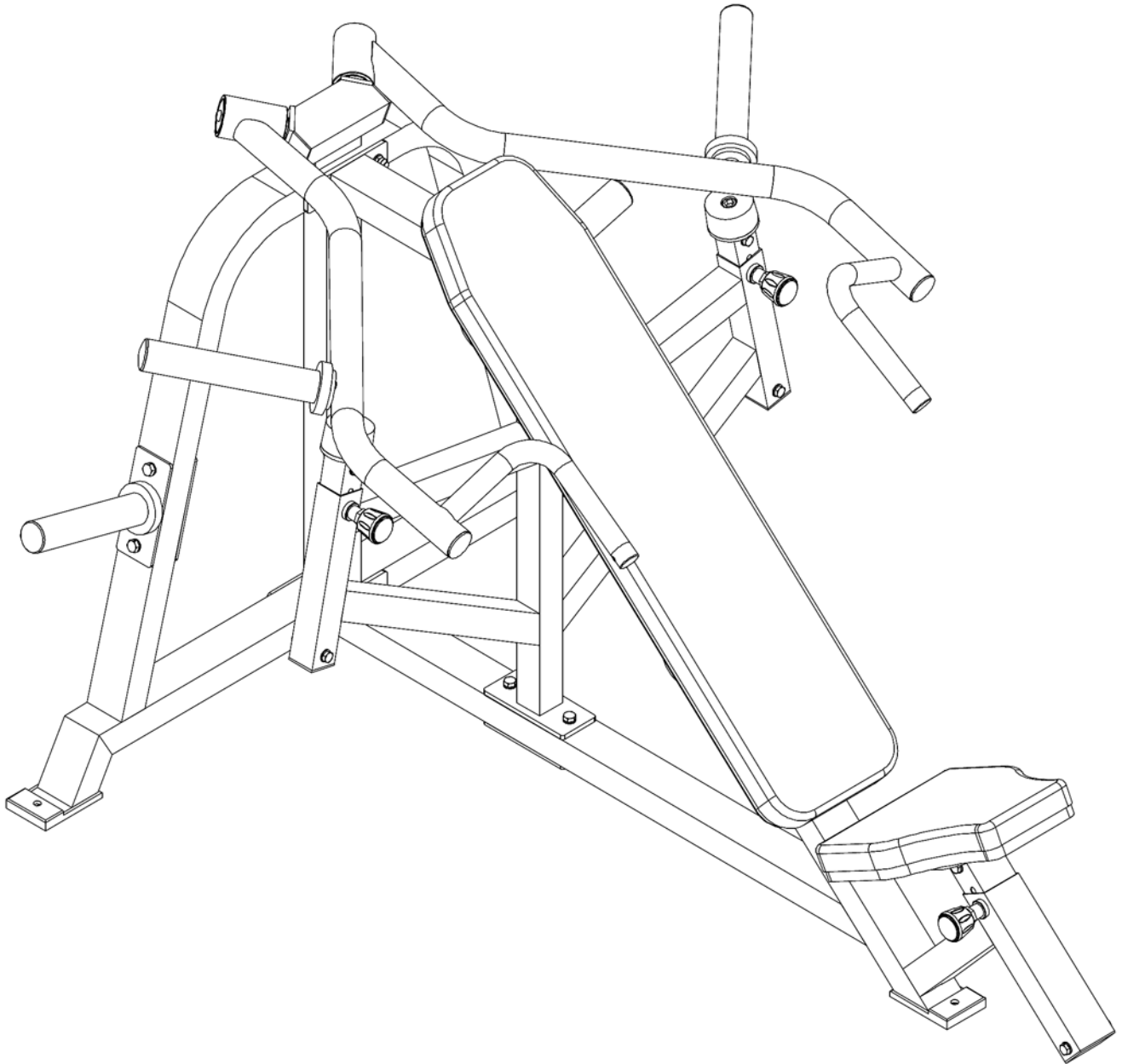


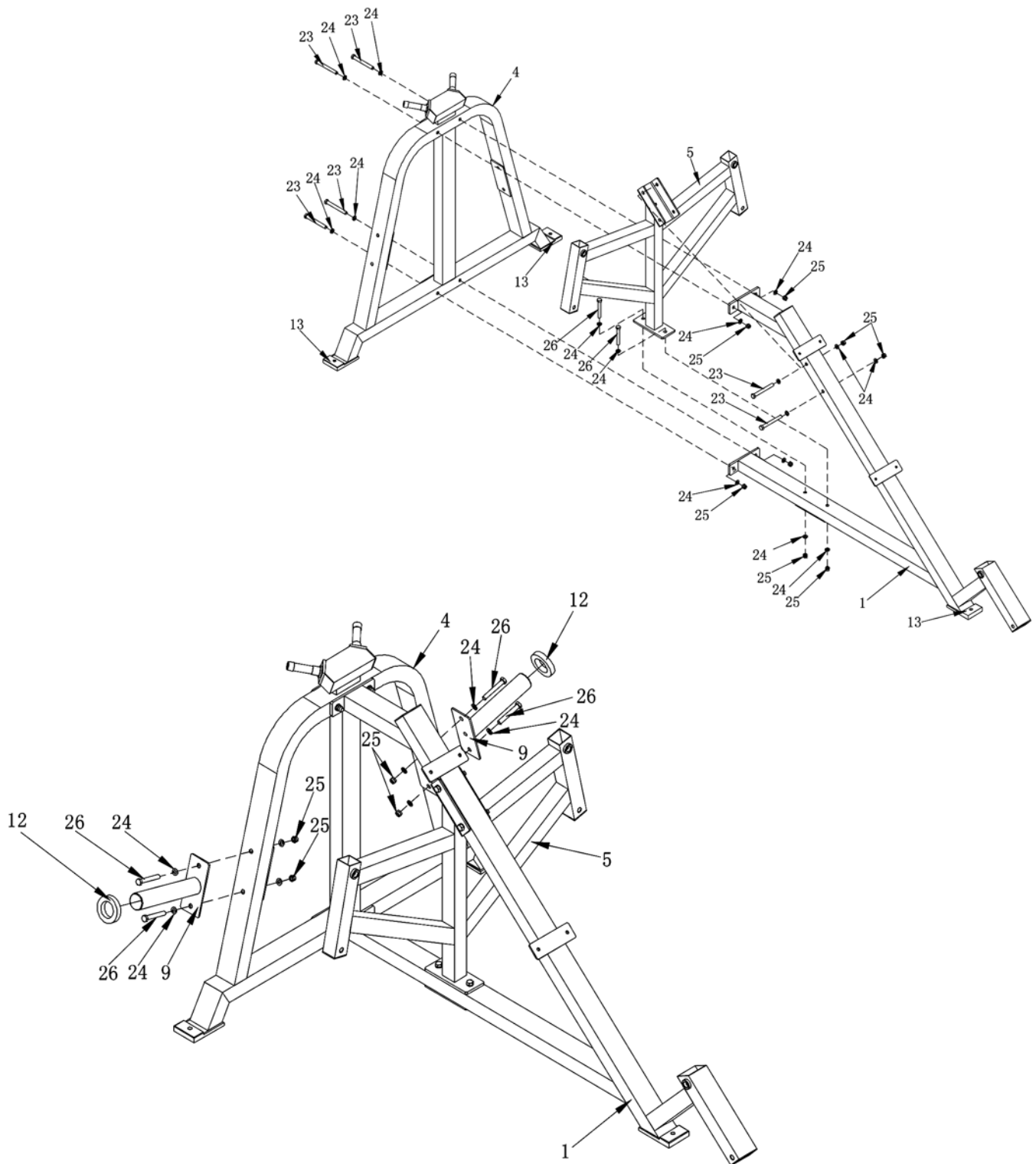
# LVIP



*Body-Solid*

**LVIP**

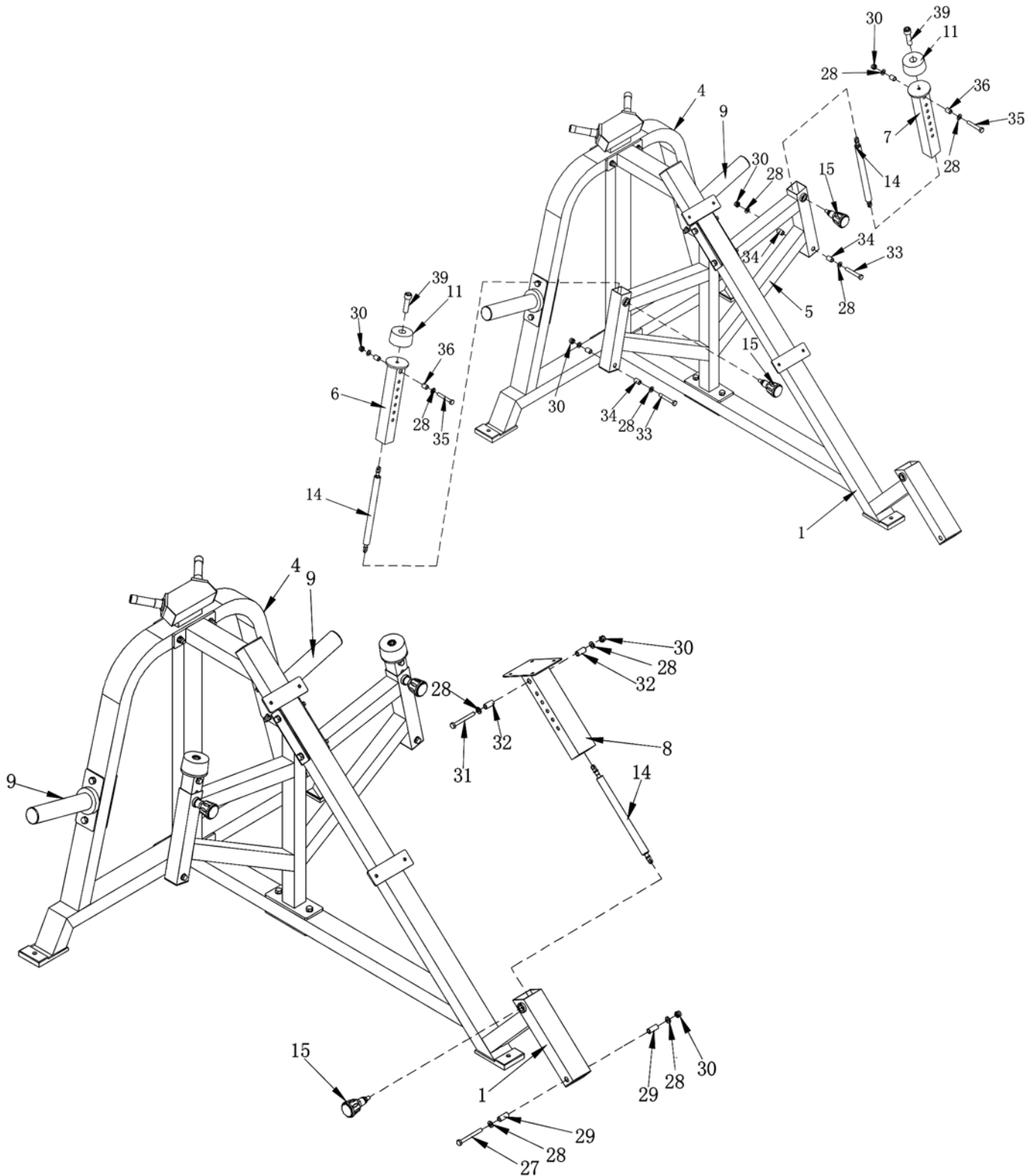
# ASSEMBLY INSTRUCTIONS



*Body-Solid*

**LVIP**

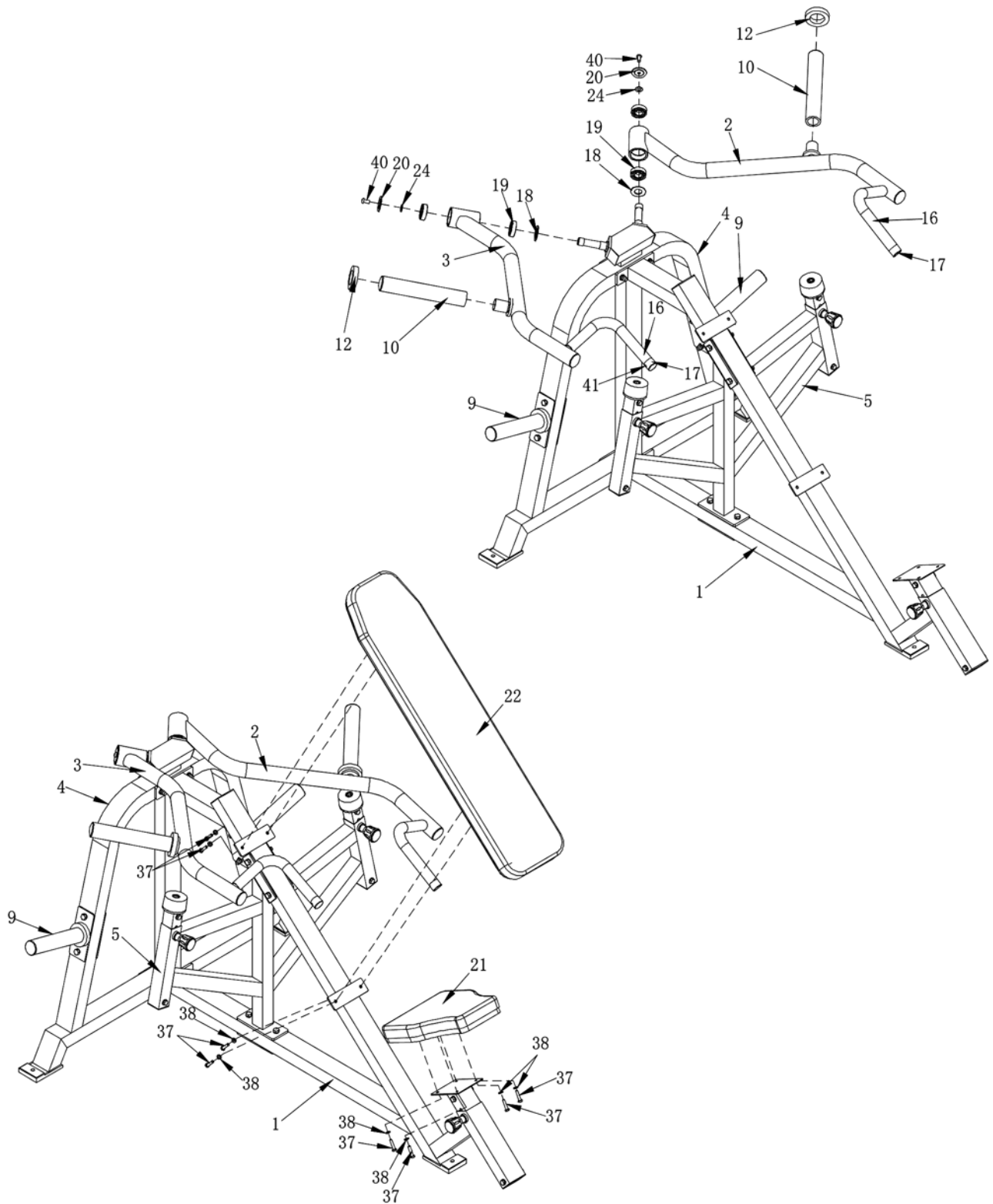
# ASSEMBLY INSTRUCTIONS



*Body-Solid*

**LVIP**

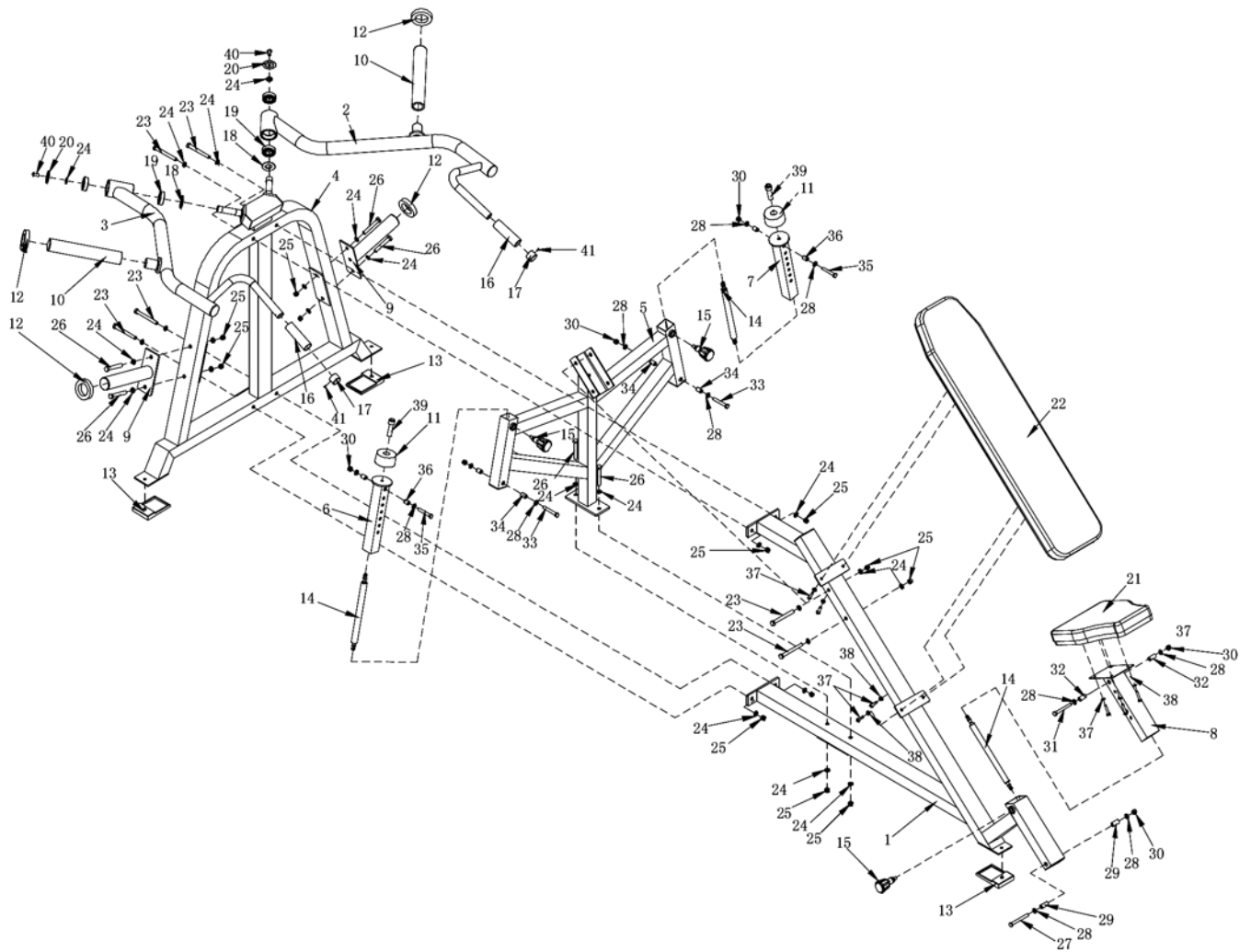
# ASSEMBLY INSTRUCTIONS



*Body-Solid*

# LVIP

## EXPLODED VIEW



*Body-Solid*

### LVIP Hardware List

No .	Description	Qty	No .	Description	Qty
1	Main Frame	1	22	Back Pad	1
2	Left Pushing Arm	1	23	M12*110 Hex Bolt	6
3	Right Pushing Arm	1	24	*12 Washer	26
4	Support Tube	1	25	M12 Nylon Nut	12
5	Upper Lower Tube	1	26	M12*85 Hex Bolt	6
6	Right Support Tube	1	27	M10*90 Hex Bolt	1
7	Left Support Tube	1	28	*10 Washer	12
8	Pad Support Tube	1	29	*15*34.5 Tube	2
9	Loading Bar A	2	30	M10 Nylon Nut	6
10	Loading Bar B	2	31	M10*85 Hex Bolt	1
11	*80**76*40 Rubber Stoper	2	32	*15*32 Tube	2
12	*80**50*16 Rubber Stoper	4	33	M10*70 Hex Bolt	2
13	125*85 End Cap	3	34	*15*22 Tube	4
14	*21*515 Shock	3	35	M10*65 Hex Bolt	2
15	*10*90 Pop Pin	3	36	*15*19.5 Tube	4
16	Foam Grip	2	37	M8*30 Hex Bolt	8
17	End Cap	2	38	*8 Washer	8
18	Washer for Bearing	2	39	M12*30 Hex Bolt	2
19	Shaft	4	40	M10*20 Hex Bolt	2
20	Washer for Bearing	2	41	M4*8 Hex Bolt	2
21	Seat Pad	1			